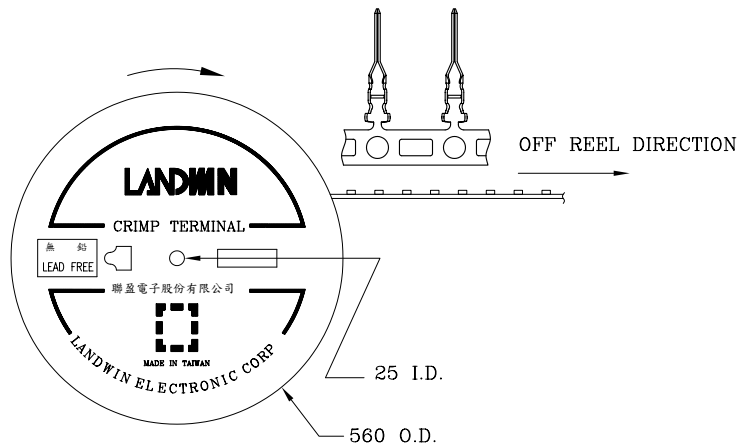


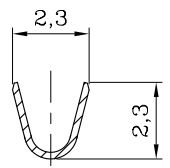
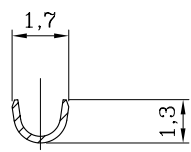
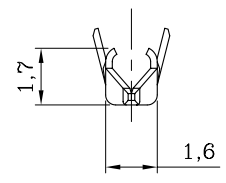
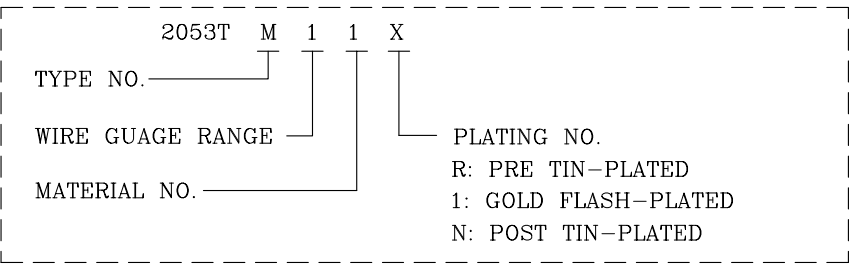
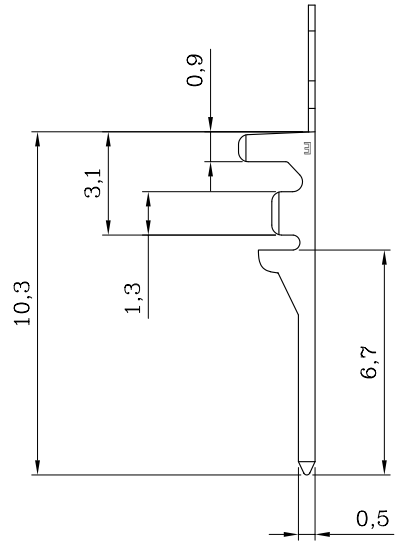
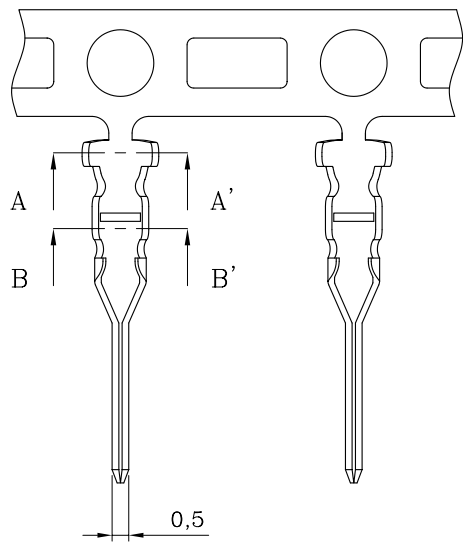
12 11 10 9 8 7 6 5 4 3 2 1

A
B
C
D
E
F

A
B
C
D
E
F

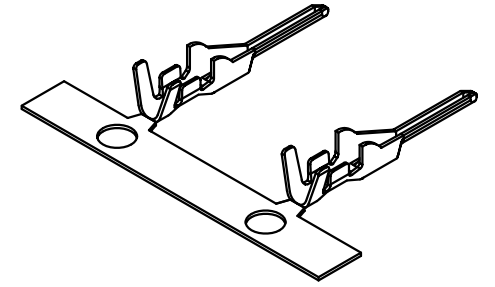


ROLL FORM PACKAGE



SEC. B-B'

SEC. A-A'



ISOMETRIC VIEW

ORDER INFORMATION AND DIMENSION:

PART NO.	TERMINAL TYPE	WIRE GAUGE RANGE (AWG)	INSULATION DIAMETER	Q'TY/REEL
2053TM11X	CHAIN	#24 ~ #28	ø1.45 MAX.	10,000 PCS

NOTES:

1. MATERIAL: PHOSPHOR BRONZE
2. USE WITH 2050M SERIES PLUG HOUSING
3. INFORMATION IN THIS DRAWING IS NOT CONSIDERED AS FINAL.



Sales Drawing

MATERIAL: SEE NOTES		FINISH(COLOR): SEE NOTES	
W1	NEW RELEASE	31-DEC-14'	ANGULAR ±3°
REV.	REVISION RECORD	DATE	

聯盈電子股份有限公司
LANDWIN ELECTRONIC CORP.

GENERAL TOLERANCE:	PROJECTION	SCALE	UNIT	SHEET NO.	REV
	⊕	FREE	MM	1 / 1	W1
	DRAWN	R.G.	DRAW NO.		
	CHECKED	J.L.Lin	(BQ) 2053TM11X		
	APPD	H.Y.Lin	TITLE:		
			CRIMP TERMINAL (2050M SERIES)		