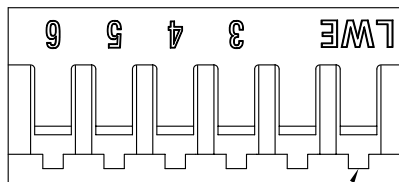
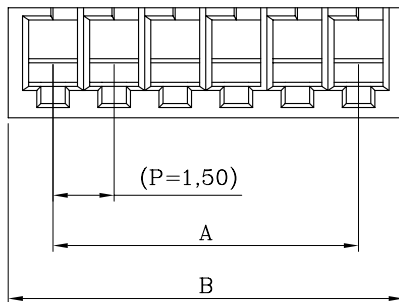
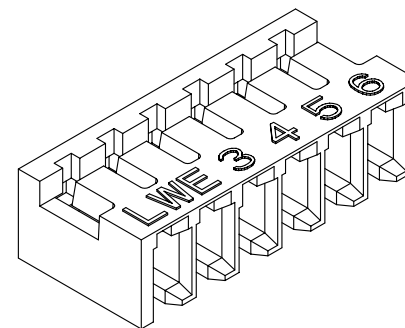


**ORDER INFORMATION AND DIMENSION:**

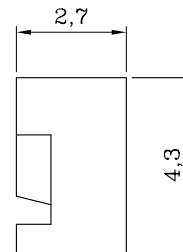
Circuits	Order No.	Dimension	
		A	B
2	1508S0200	1.5	3.7
3	1508S0300	3.0	5.2
4	1508S0400	4.5	6.7
5	1508S0500	6.0	8.2
6	1508S0600	7.5	9.7
7	1508S0700	9.0	11.2
8	1508S0800	10.5	12.7
9	1508S0900	12.0	14.2
10	1508S1000	13.5	15.7
11	1508S1100	15.0	17.2
12	1508S1200	16.5	18.7
13	1508S1300	18.0	20.2
14	1508S1400	19.5	21.7
15	1508S1500	21.0	23.2



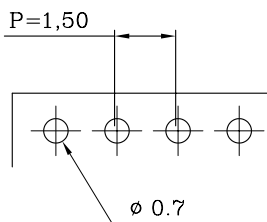
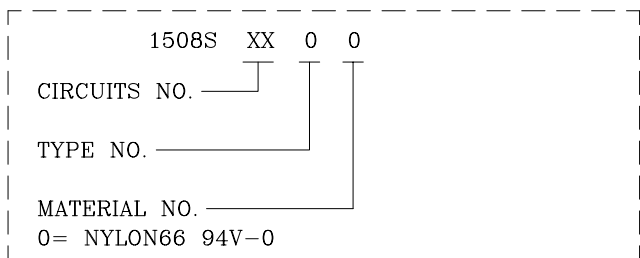
Circuit 1



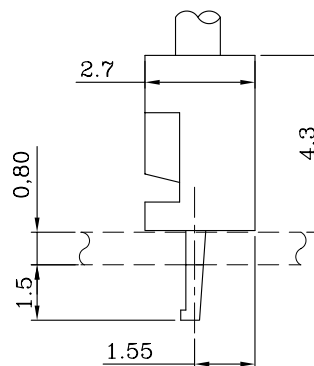
ISOMETRIC VIEW



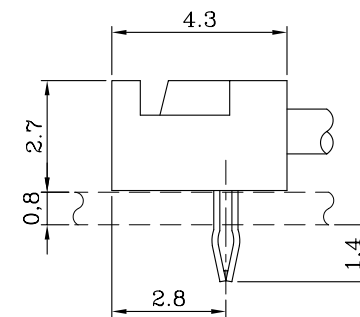
**DESCRIPTION OF ORDER NO.:**



P.C. BOARD LAYOUT



ASSEMBLY LAYOUT



**NOTES:**

- 1. MATERIAL: BASE: NYLON66 94V-0, WHITE COLOR (NATURAL)
- 2. USE WITH 1509T011X SERIES CRIMP TERMINAL.
- 3. USE WITH 1519T011X SERIES CRIMP TERMINAL.
- 4. DESCRIPTION OF COLOR CODE:  
LEGEND: 1508SXX00-X (-X: COLOR CODE)  
B=BLACK, C=COCONUT BROWN, D=ORANGE, E=BLUE, H=GRAY, I=BRICK RED, K=PURPLE, L=LEMON YELLOW, M=GREEN, P=PINK, R=RED, V=LAVENDER, W=BROWN, Y=YELLOW
- 5. INFORMATION IN THIS DRAWING IS NOT CONSIDERED AS FINAL.

**LANDWIN** 聯盈電子股份有限公司  
LANDWIN ELECTRONIC CORP.

GENERAL TOLERANCE:	PROJECTION	SCALE	UNIT	SHEET NO.	REV
	$\odot$	FREE	MM	1 / 1	W1
	DRAWN	R.G.	DRAW NO.		
	CHECKED	J.L.Lin	(AQ) 1508SXX00		
	APPD	H.Y.Lin	TITLE:		

W1	NEW RELEASE	31-DEC-14'	ANGULAR $\pm 3^\circ$	DATE 31-DEC-14'	1.50 PITCH SINGLE-ROW BOARD-IN HOUSING
REV.	REVISION RECORD	DATE			