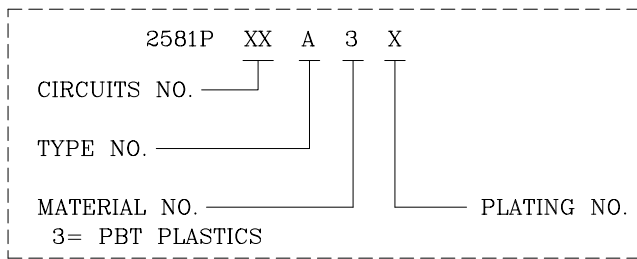


ORDER INFORMATION AND DIMENSION:

Circuits	Part No. (Black color, T/P)	Dimension	
		A	B
2	2581P02A3T	2.54	8.81
3	2581P03A3T	5.08	11.35
4	2581P04A3T	7.62	13.89
5	2581P05A3T	10.16	16.43
6	2581P06A3T	12.70	18.97
7	2581P07A3T	15.24	21.51
8	2581P08A3T	17.78	24.05
9	2581P09A3T	20.32	26.59
10	2581P10A3T	22.86	29.13
11	2581P11A3T	25.40	31.67
12	2581P12A3T	27.94	34.21
13	2581P13A3T	30.48	36.75
14	2581P14A3T	33.02	39.29
15	2581P15A3T	35.56	41.83

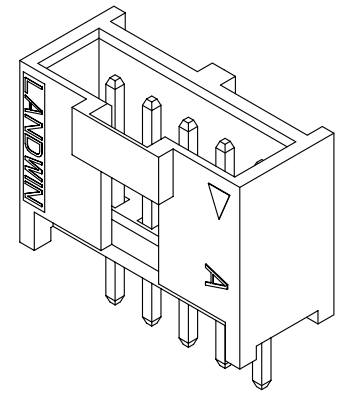
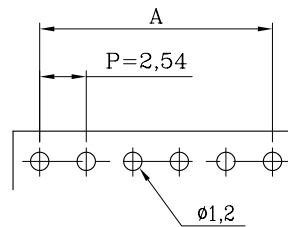
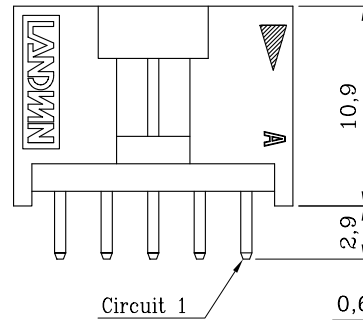
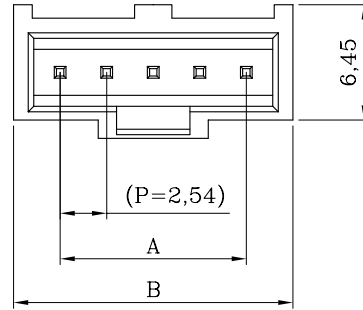
DESCRIPTION OF ORDER NO.:



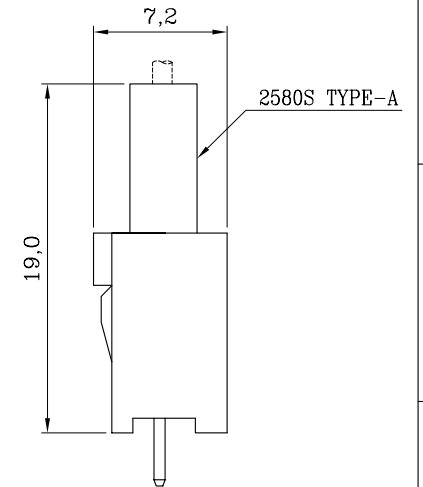
NOTES:

- MATERIAL:
BASE: PBT-GF 94V-0, BLACK COLOR
CONTACT PIN: BRASS
- MATES WITH 2580S TYPE-A SINGLE-ROW SERIES PLUG HOUSING.
- DESCRIPTION OF COLOR CODE:
LEGEND: 2581PXXA3X-X (-X: COLOR CODE)
C=COCONUT BROWN, E=BLUE, H=GRAY,
I=BRICK RED, M=GREEN, R=RED, W=BROWN, S=WHITE
- REPLACEMENT OF HALOGEN-FREE PRODUCT:
LEGEND: 2581PXXA3X-XNH (NH: HALOGEN-FREE)
LEGEND: 2581PXXA3X-BNH (B=BLACK COLOR)
- INFORMATION IN THIS DRAWING IS NOT CONSIDERED AS FINAL.

DESCRIPTION OF PLATING CODE:	
T= TIN-PLATED (T/P)	1= GOLD FLASH-PLATED
V= MATTE TIN-PLATED	



ISOMETRIC VIEW



ASSEMBLY LAYOUT

P.C. BOARD LAYOUT
(COMPONENT SIDE)

Sales Drawing

MATERIAL: SEE NOTES		聯盈電子股份有限公司 LANDWIN ELECTRONIC CORP.			
FINISH(COLOR): SEE NOTES					
GENERAL TOLERANCE:	PROJECTION	SCALE	UNIT	SHEET NO.	REV
		FREE	MM	1 / 1	W1
	DRAWN	R.G.	DRAW NO.		
	CHECKED	J.L.Lin	(CQ) 2581PXXA3X		
	APPD	H.Y.Lin	TITLE:		
W1	NEW RELEASE	31-DEC-14'	ANGULAR ±3°	DATE 31-DEC-14'	2.54 PITCH SINGLE-ROW STRAIGHT DIP-HEADER
REV.	REVISION RECORD	DATE			