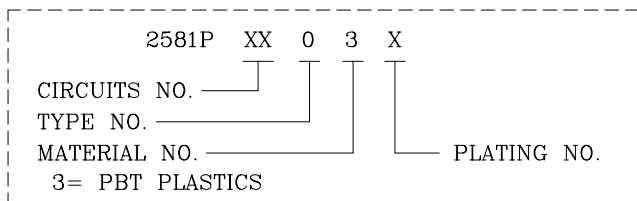


ORDER INFORMATION AND DIMENSION:

Circuits	Part No. (Black color, T/P)	Dimension	
		A	B
6	2581P0603T	5.08	10.16
8	2581P0803T	7.62	12.70
10	2581P1003T	10.16	15.24
12	2581P1203T	12.70	17.78
14	2581P1403T	15.24	20.32
16	2581P1603T	17.78	22.86
18	2581P1803T	20.32	25.40
20	2581P2003T	22.86	27.94
22	2581P2203T	25.40	30.48
24	2581P2403T	27.94	33.02
26	2581P2603T	30.48	35.56
28	2581P2803T	33.02	38.10
30	2581P3003T	35.56	40.64
32	2581P3203T	38.10	43.18
34	2581P3403T	40.64	45.72
36	2581P3603T	43.18	48.26
38	2581P3803T	45.72	50.80
40	2581P4003T	48.26	53.34

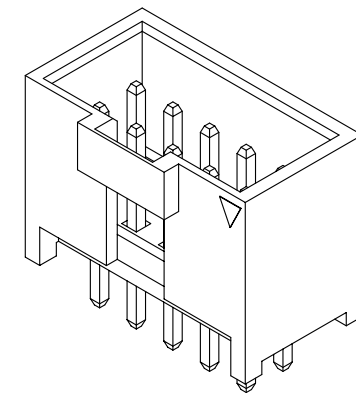
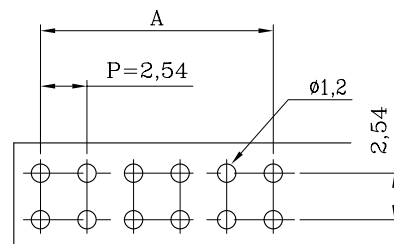
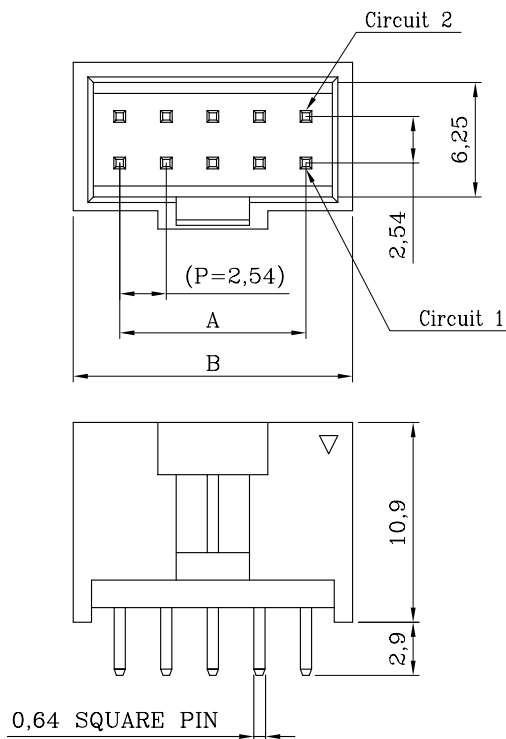
DESCRIPTION OF ORDER NO.:



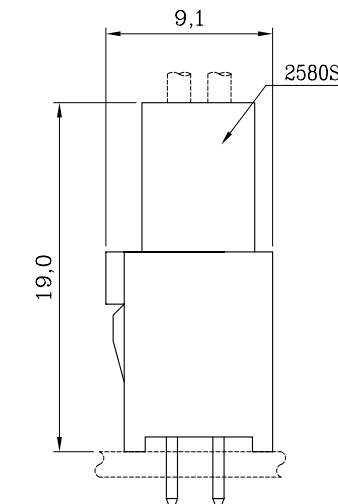
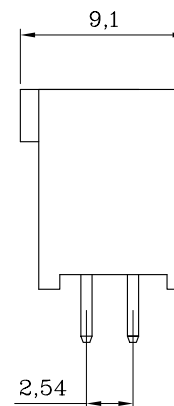
NOTES:

- MATERIAL: BASE: PBT-GF 94V-0, BLACK COLOR  
CONTACT PIN: BRASS
- MATES WITH 2580S DUAL-ROW SERIES PLUG HOUSING.
- DESCRIPTION OF COLOR CODE:  
LEGEND: 2581PXX03X-X (-X: COLOR CODE)  
C=COCONUT BROWN, E=BLUE, H=GRAY,  
I=BRICK RED, M=GREEN, R=RED, W=BROWN, S=WHITE
- REPLACEMENT OF HALOGEN-FREE PRODUCT:  
LEGEND: 2581PXX03X-XNH (NH: HALOGEN-FREE)  
LEGEND: 2581PXX03X-BNH (B=BLACK COLOR)
- INFORMATION IN THIS DRAWING IS NOT CONSIDERED AS FINAL.

DESCRIPTION OF PLATING CODE:	
T= TIN-PLATED (T/P)	1= GOLD FLASH-PLATED
V= MATTE TIN-PLATED	



ISOMETRIC VIEW



ASSEMBLY LAYOUT

P.C. BOARD LAYOUT (COMPONENT SIDE)

MATERIAL: SEE NOTES	
FINISH(COLOR): SEE NOTES	
W1	NEW RELEASE
REV.	REVISION RECORD



Sales Drawing

**LANDWIN** 聯盈電子股份有限公司  
LANDWIN ELECTRONIC CORP.

GENERAL TOLERANCE:	PROJECTION	SCALE	UNIT	SHEET NO.	REV
	⊕	FREE	MM	1 / 1	W1
	DRAWN	R.G.	DRAW NO.		
	CHECKED	J.L.Lin	(CQ) 2581PXX03X		
	APPD	H.Y.Lin	TITLE:		
W1	NEW RELEASE	31-DEC-14'	ANGULAR ±3°	DATE 31-DEC-14'	2.54 PITCH DUAL-ROW STRAIGHT DIP-HEADER
REV.	REVISION RECORD	DATE			