

12 11 10 9 8 7 6 5 4 3 2 1

A

B

C

D

E

F

A

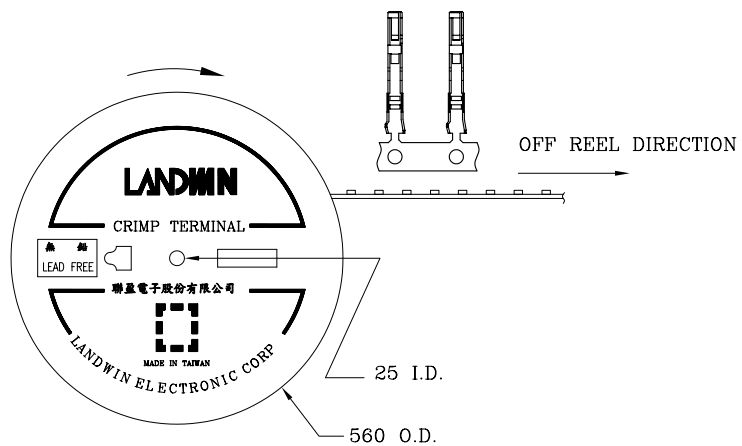
B

C

D

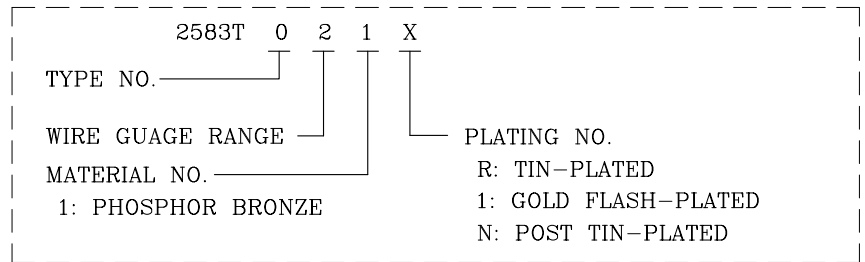
E

F



ROLL FORM PACKAGE

DESCRIPTION OF ORDER NO.:

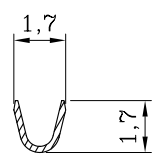
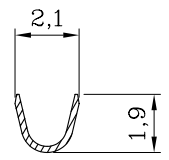
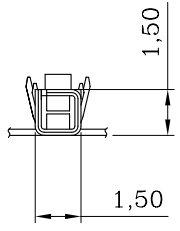
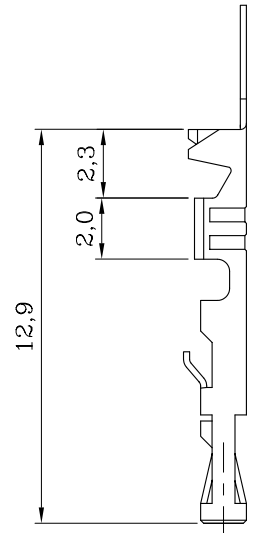
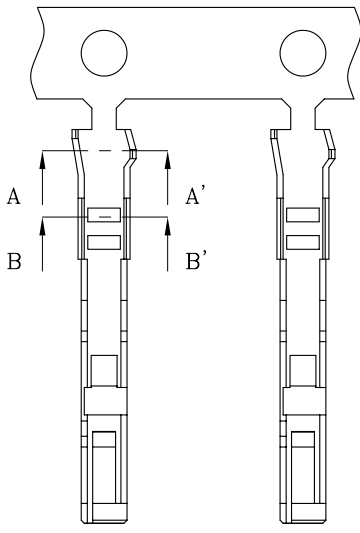


ORDER INFORMATION AND DIMENSION:

ORDER NO.	TERMINAL TYPE	WIRE GAUGE RANGE (AWG)	INSULATION DIAMETER	Q'TY/REEL
2583T021X	CHAIN	#22 ~ #24	ø1.6 MAX.	15,000 PCS

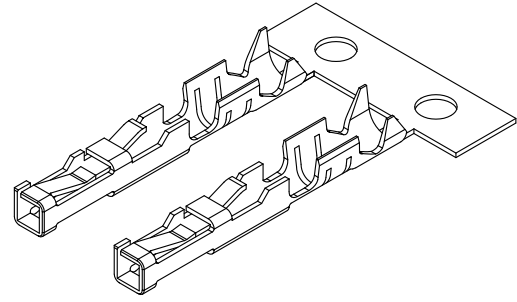
NOTES:

- MATERIAL: PHOSPHOR BRONZE
- USE WITH 2580S SERIES PLUG HOUSING:
 - <1> 2580SXX03 SERIES
 - <2> 2580SXXA3 SERIES
 - <3> 2580SXXC3 SERIES
 - <4> 2580SXXI3 SERIES
 - <5> 2580SXX23 SERIES
- INFORMATION IN THIS DRAWING IS NOT CONSIDERED AS FINAL.



SEC. A-A'

SEC. B-B'



ISOMETRIC VIEW



Sales Drawing

LANDWIN 聯盈電子股份有限公司
LANDWIN ELECTRONIC CORP.

MATERIAL: SEE NOTES		FINISH(COLOR): SEE NOTES		GENERAL TOLERANCE:		PROJECTION	SCALE	UNIT	SHEET NO.	REV
						⊕	FREE	MM	1 / 1	W1
						DRAWN	R.G.	DRAW NO.		
						CHECKED	J.L.Lin	(BQ) 2583T021X		
						APPD	H.Y.Lin	TITLE:		
W1	NEW RELEASE	31-DEC-14'	ANGULAR ±3°	DATE	31-DEC-14'	CRIMP TERMINAL TYPE-2 (2580S SERIES)				
REV.	REVISION RECORD	DATE								