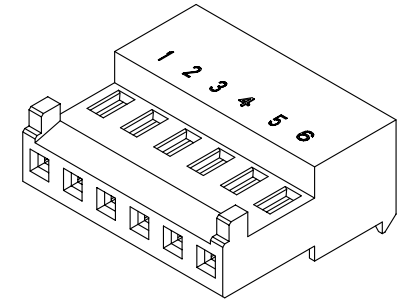
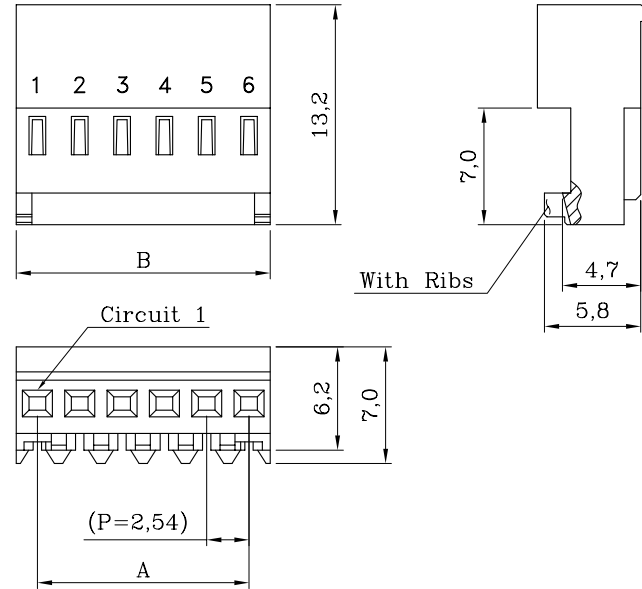


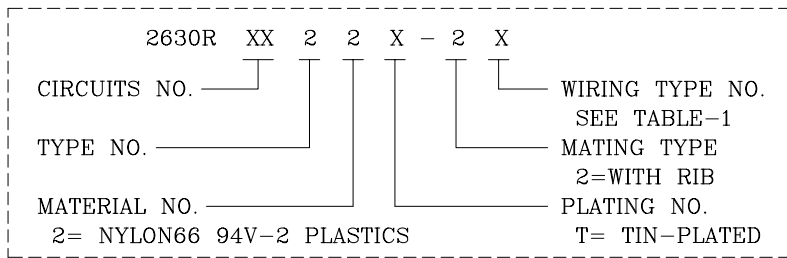
ORDER INFORMATION AND DIMENSION:

Circuits	Part No. (Tin-plated) (Type-2, With Ribs)	Dimension	
		A	B
2	2630R0222T-2 X	2.54	5.08
3	2630R0322T-2 X	5.08	7.62
4	2630R0422T-2 X	7.62	10.16
5	2630R0522T-2 X	10.16	12.70
6	2630R0622T-2 X	12.70	15.24
7	2630R0722T-2 X	15.24	17.78
8	2630R0822T-2 X	17.78	20.32
9	2630R0922T-2 X	20.32	22.86
10	2630R1022T-2 X	22.86	25.40
11	2630R1122T-2 X	25.40	27.94
12	2630R1222T-2 X	27.94	30.48
13	2630R1322T-2 X	30.48	33.02
14	2630R1422T-2 X	33.02	35.56



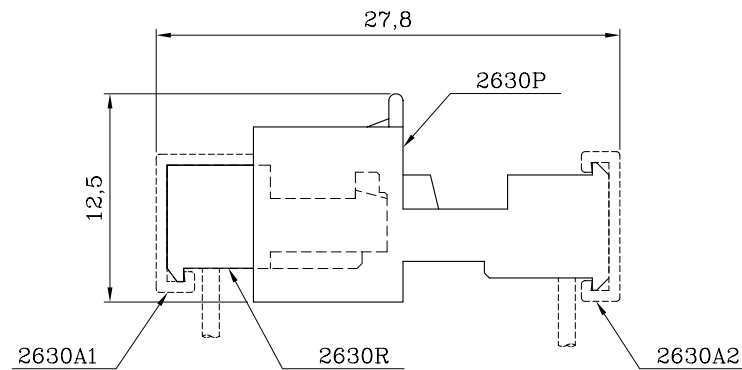
ISOMETRIC VIEW

DESCRIPTION OF ORDER NO.:

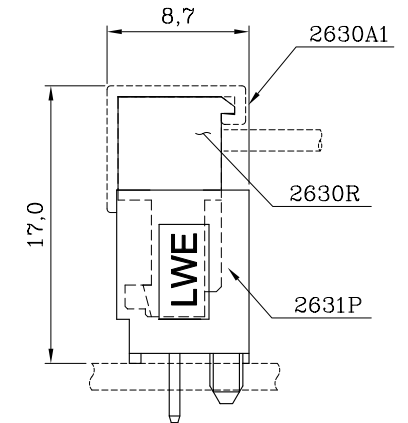


NOTES:

- MATERIAL:  
BASE: NYLON66 94V-2, WHITE COLOR (NATURAL)  
CONTACT PIN: PHOSPHOR BRONZE
- 2630R SERIES USE WITH "2630A1 SERIES DUST COVER"  
(REPLACEMENT OF TYCO 640550 SERIES).
- 2630P SERIES USE WITH "2630A2 SERIES DUST COVER"  
(REPLACEMENT OF TYCO 640642 SERIES).
- MATES WITH 2630PXX22X-1X SERIES RECEPTACLE HOUSING.
- MATES WITH 2631P, 2632P TYPE-3 SERIES DIP HEADER.
- WIRING TYPE NO. IS DEFINED IN TABLE-1 BELOW.
- INFORMATION IN THIS DRAWING IS NOT CONSIDERED AS FINAL.



ASSEMBLY LAYOUT  
(WIRE-TO-WIRE)



ASSEMBLY LAYOUT  
(WIRE-TO-BOARD)

TABLE-1:

WIRING TYPE NO.	APPLICABLE WIRE GAUGE	COLOR OF PLASTICS
2	22 AWG	RED
0	24 AWG	NATURAL
6	26 AWG	BLUE
5	28 AWG	GREEN



Sales Drawing

**LANDWIN** 聯盈電子股份有限公司  
LANDWIN ELECTRONIC CORP.

MATERIAL: SEE NOTES	
FINISH(COLOR): SEE NOTES	
W1	NEW RELEASE
REV.	REVISION RECORD

GENERAL TOLERANCE:	PROJECTION	SCALE	UNIT	SHEET NO.	REV
	⊕	FREE	MM	1 / 1	W1
	DRAWN	R.G.	DRAW NO.		
	CHECKED	J.L.Lin	(CQ) 2630RXX22X-2X		
	APPD	H.Y.Lin	TITLE:		
	DATE	31-DEC-14'	2.54 PITCH SINGLE-ROW IDC PLUG HOUSING(TYPE-2)		