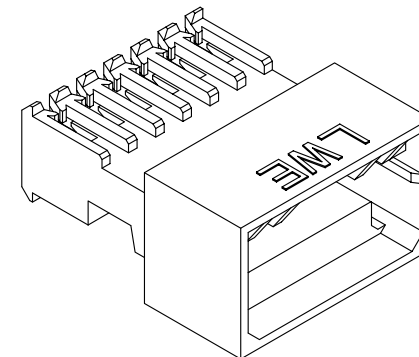
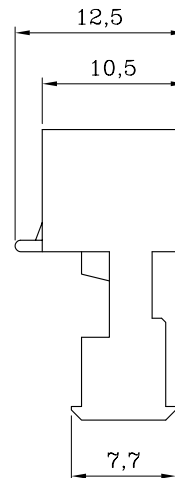
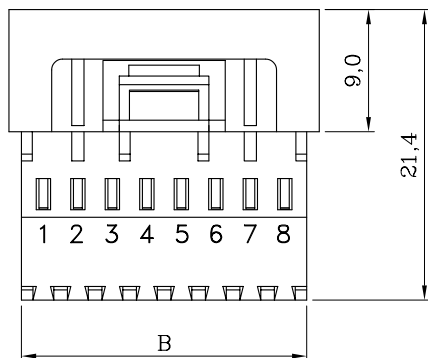
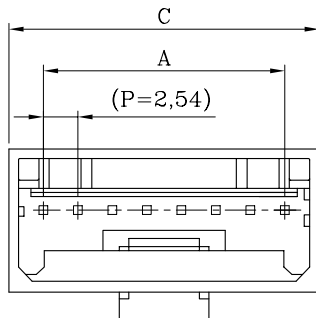


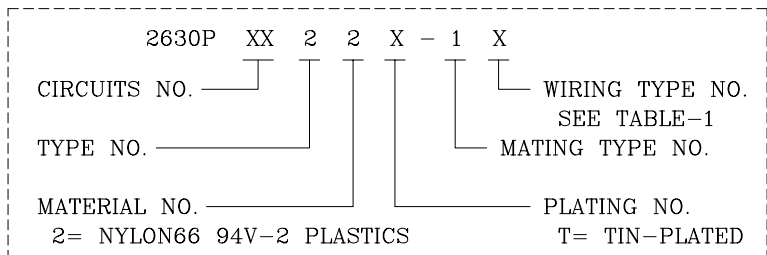
ORDER INFORMATION AND DIMENSION:

Circuits	Part No. (Mating Type-1, Tin-plated)	Dimension		
		A	B	C
2	2630P0222T-1 X	2.54	5.77	7.62
3	2630P0322T-1 X	5.08	8.31	10.16
4	2630P0422T-1 X	7.62	10.85	12.70
5	2630P0522T-1 X	10.16	13.39	15.24
6	2630P0622T-1 X	12.70	15.93	17.78
7	2630P0722T-1 X	15.24	18.47	20.32
8	2630P0822T-1 X	17.78	21.01	22.86
9	2630P0922T-1 X	20.32	23.55	25.40
10	2630P1022T-1 X	22.86	26.09	27.94
11	2630P1122T-1 X	25.40	28.63	30.48
12	2630P1222T-1 X	27.94	31.17	33.02
13	2630P1322T-1 X	30.48	33.71	35.56
14	2630P1422T-1 X	33.02	36.25	38.10



ISOMETRIC VIEW

DESCRIPTION OF ORDER NO.:

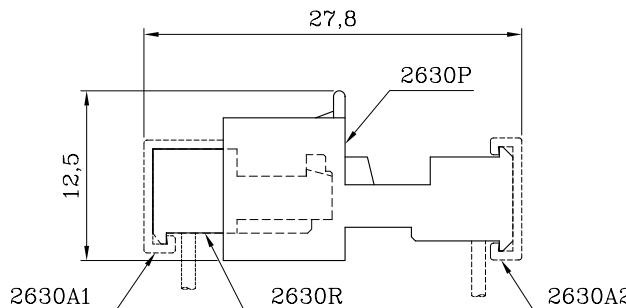


NOTES:

- MATERIAL:
 BASE: NYLON66 94V-2, WHITE COLOR (NATURAL)
 CONTACT PIN: PHOSPHOR BRONZE
- 2630R SERIES USE WITH "2630A1 SERIES DUST COVER"
 (REPLACEMENT OF TYCO 640550 SERIES).
- 2630P SERIES USE WITH "2630A2 SERIES DUST COVER"
 (REPLACEMENT OF TYCO 640642 SERIES).
- MATES WITH 2630RXX22X-2X SERIES IDC PLUG HOUSING.
- PLATING NO.: TIN-PLATED (T/P)
- WIRING TYPE NO. IS DEFINED IN TABLE-1 BELOW.
- INFORMATION IN THIS DRAWING IS NOT CONSIDERED AS FINAL.

TABLE-1:

WIRING TYPE NO.	APPLICABLE WIRE GAUGE	COLOR OF PLASTICS
2	22 AWG	RED
0	24 AWG	NATURAL
6	26 AWG	BLUE
5	28 AWG	GREEN



ASSEMBLY LAYOUT



Sales Drawing

LANDWIN 聯盈電子股份有限公司
 LANDWIN ELECTRONIC CORP.

GENERAL TOLERANCE:	PROJECTION	SCALE	UNIT	SHEET NO.	REV
	⊕	FREE	MM	1 / 1	W1
	DRAWN	R.G.	DRAW NO.		
	CHECKED	J.L.Lin	(CQ) 2630PXX22X-1X		
	APPD	H.Y.Lin	TITLE:		
W1	NEW RELEASE	31-DEC-14'	2.54 PITCH SINGLE-ROW		
REV.	REVISION RECORD	DATE	RECEPTACLE HOUSING (TYPE-1)		