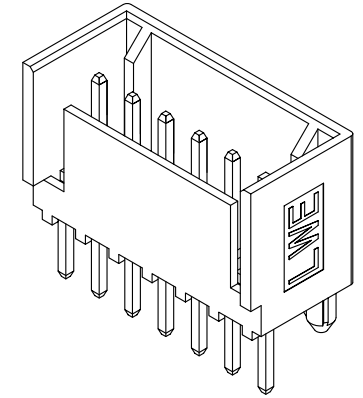
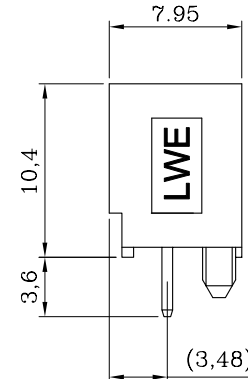
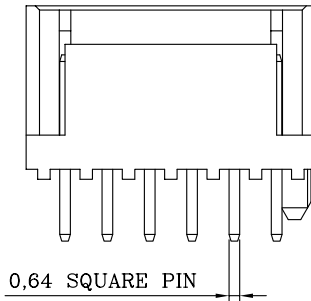
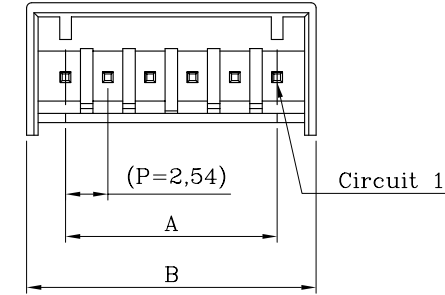


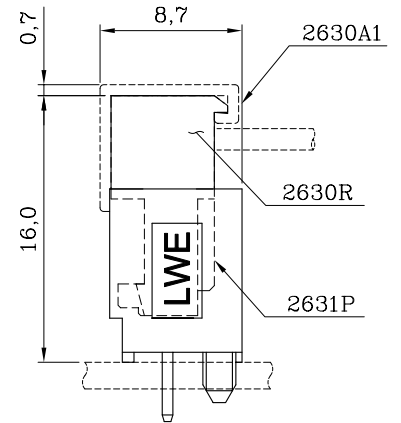
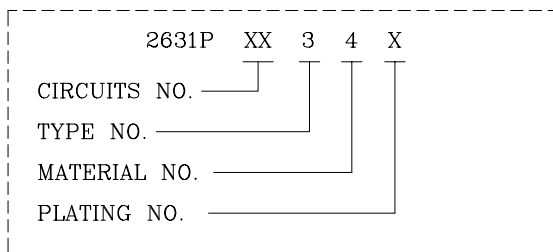
ORDER INFORMATION AND DIMENSION:

Circuits	Part No. (Black color, T/P)	Dimension	
		A	B
2	2631P0234T	2.54	7.2
3	2631P0334T	5.08	9.8
4	2631P0434T	7.62	12.3
5	2631P0534T	10.16	14.8
6	2631P0634T	12.70	17.4
7	2631P0734T	15.24	19.9
8	2631P0834T	17.78	22.5
9	2631P0934T	20.32	25.0
10	2631P1034T	22.86	27.5
11	2631P1134T	25.40	30.1
12	2631P1234T	27.94	32.6
13	2631P1334T	30.48	35.2
14	2631P1434T	33.02	37.7



ISOMETRIC VIEW

DESCRIPTION OF ORDER NO.:



ASSEMBLY LAYOUT

NOTES:

- MATERIAL:
BASE: HIGH HDT NYLON 94V-0, BLACK COLOR
CONTACT PIN: BRASS
- MATES WITH 2630RXX22X-2X SERIES IDC PLUG HOUSING.
- DESCRIPTION OF COLOR CODE:
LEGEND: 2631PXX34X-X (-X: COLOR CODE)
C=COCONUT BROWN, E=BLUE, H=GRAY,
I=BRICK RED, M=GREEN, R=RED, W=BROWN
- REPLACEMENT OF HALOGEN-FREE PRODUCT:
LEGEND: 2631PXX34X-XNH (NH: HALOGEN-FREE)
LEGEND: 2631PXX34T-BNH (B=BLACK COLOR)
- INFORMATION IN THIS DRAWING IS NOT CONSIDERED AS FINAL.

P.C. BOARD LAYOUT
(COMPONENT SIDE)

MATERIAL: SEE NOTES		RoHS RoHS Compliant		REACH REACH Compliant	
FINISH(COLOR): SEE NOTES					
W1	NEW RELEASE	31-DEC-14'	ANGULAR ±3°	DATE 31-DEC-14'	
REV.	REVISION RECORD	DATE			

GWT 850 °C Rated			Sales Drawing		
LANDWIN 聯盈電子股份有限公司 LANDWIN ELECTRONIC CORP.					
GENERAL TOLERANCE:	PROJECTION ⊕	SCALE FREE	UNIT MM	SHEET NO. 1 / 1	REV W1
	DRAWN R.G.	DRAW NO.			
	CHECKED J.L.Lin	(CQ) 2631PXX34X			
	APPD H.Y.Lin	TITLE:			
		2.54 PITCH SINGLE-ROW S/T DIP-HEADER (TYPE-3)			

DESCRIPTION OF PLATING CODE:	
T= TIN-PLATED (T/P)	1= GOLD FLASH-PLATED
V= MATTE TIN-PLATED	