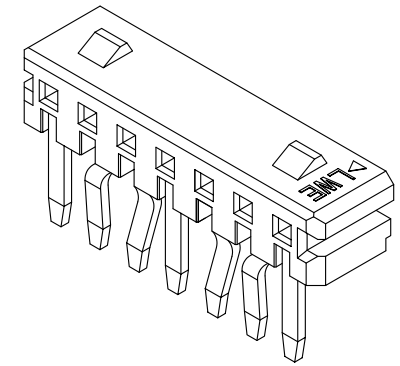
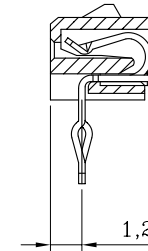
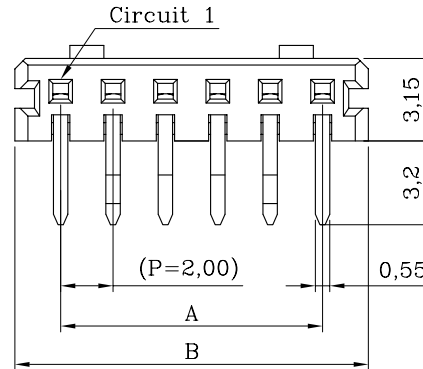
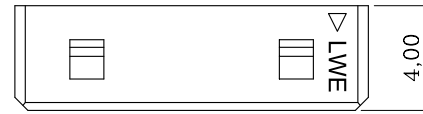


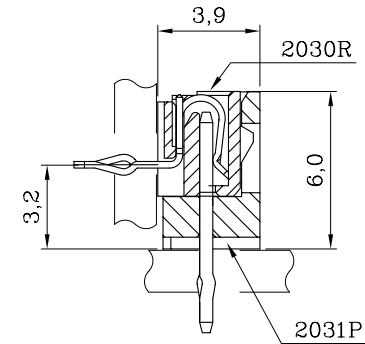
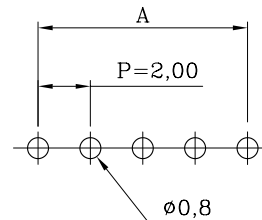
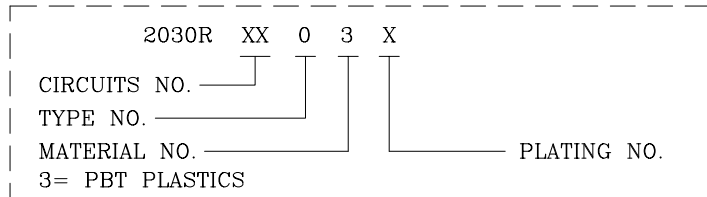
ORDER INFORMATION AND DIMENSION:

Circuits	Part No. (Tin-Plated)	Dimension	
		A	B
2	2030R0203T	2.0	5.5
3	2030R0303T	4.0	7.5
4	2030R0403T	6.0	9.5
5	2030R0503T	8.0	11.5
6	2030R0603T	10.0	13.5
7	2030R0703T	12.0	15.5
8	2030R0803T	14.0	17.5
9	2030R0903T	16.0	19.5
10	2030R1003T	18.0	21.5
11	2030R1103T	20.0	23.5
12	2030R1203T	22.0	25.5
13	2030R1303T	24.0	27.5
14	2030R1403T	26.0	29.5
15	2030R1503T	28.0	31.5
16	2030R1603T	30.0	33.5
17	2030R1703T	32.0	35.5
18	2030R1803T	34.0	37.5
19	2030R1903T	36.0	39.5
20	2030R2003T	38.0	41.5



ISOMETRIC VIEW

DESCRIPTION OF ORDER NO.:



ASSEMBLY LAYOUT

NOTES:

- MATERIAL:
BASE: GLASS-FILLED P.B.T. 94V-0, WHITE COLOR (NATURAL)
CONTACT PIN: BRASS
- MATES WITH 2031P SERIES BOARD-TO-BOARD DIP-HEADER.
- DESCRIPTION OF COLOR CODE:
LEGEND: 2030RXX03X-X (-X: COLOR CODE)
B=BLACK, C=COCONUT BROWN, E=BLUE, H=GRAY,
I=BRICK RED, M=GREEN, R=RED, W=BROWN
- REPLACEMENT OF HALOGEN-FREE PRODUCT:
LEGEND: 2030RXX03X-XNH (NH: HALOGEN-FREE)
LEGEND: 2030RXX03X-SNH (S=WHITE COLOR/NATURAL)
- INFORMATION IN THIS DRAWING IS NOT CONSIDERED AS FINAL.

P.C. BOARD LAYOUT

MATERIAL: SEE NOTES	
FINISH(COLOR): SEE NOTES	
W1	NEW RELEASE
REV.	REVISION RECORD



Sales Drawing



聯盈電子股份有限公司
LANDWIN ELECTRONIC CORP.

GENERAL TOLERANCE:	PROJECTION	SCALE	UNIT	SHEET NO.	REV
	⊕	FREE	MM	1 / 1	W1
	DRAWN	R.G.	DRAW NO.		
	CHECKED	J.L.Lin	(CQ) 2030RXX03X		
	APPD	H.Y.Lin	TITLE:		
	DATE	31-DEC-14'	2.00 PITCH SINGLE-ROW BOARD-TO-BOARD PLUG CONN.		

DESCRIPTION OF PLATING CODE			
T	TIN-PLATED	1	GOLD FLASH-PLATED