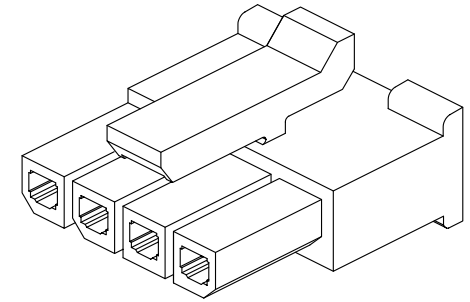
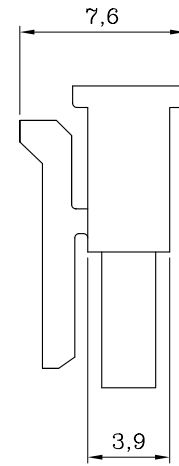
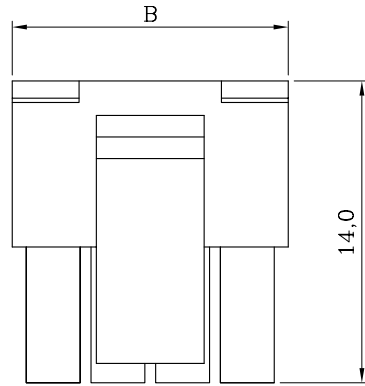


12 11 10 9 8 7 6 5 4 3 2 1

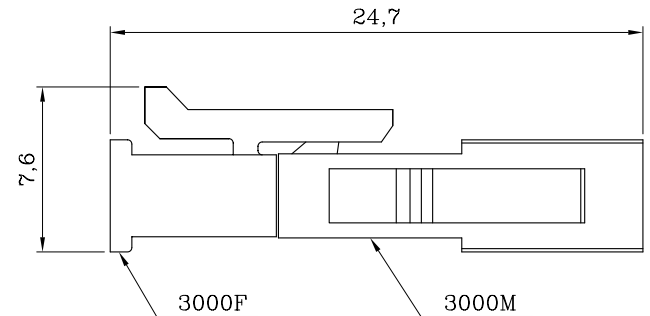
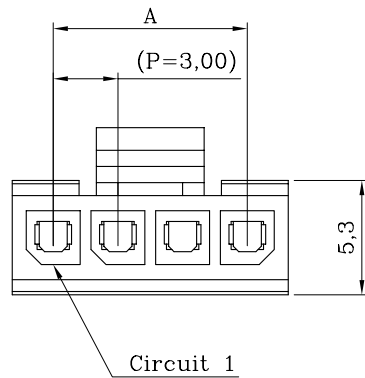
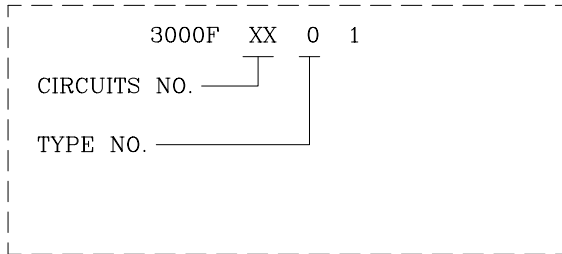
ORDER INFORMATION AND DIMENSION:

Circuits	Part No.	Dimension	
		A	B
2	3000F02 01	3.00	6.8
3	3000F03 01	6.00	9.8
4	3000F04 01	9.00	12.8
5	3000F05 01	12.00	15.8
6	3000F06 01	15.00	18.8
7	3000F07 01	18.00	21.8
8	3000F08 01	21.00	24.8
9	3000F09 01	24.00	27.8
10	3000F10 01	27.00	30.8
11	3000F11 01	30.00	33.8
12	3000F12 01	33.00	36.8



ISOMETRIC VIEW

DESCRIPTION OF ORDER NO.:



ASSEMBLY VIEW

NOTES:

1. MATERIAL:
BASE: NYLON66 94V-0, BLACK COLOR
2. USE WITH 3003TF SERIES CRIMP TERMINAL.
3. MATES WITH 3001P, 3002P SINGLE-ROW SERIES HEADER.
4. MATES WITH 3000M SINGLE-ROW SERIES RECEPTACLE HOUSING.
5. DESCRIPTION OF COLOR CODE:
LEGEND: 3000FXX01-X (-X: COLOR CODE)
C=COCONUT BROWN, E=BLUE, H=GRAY,
I=BRICK RED, M=GREEN, R=RED, W=BROWN, S=WHITE (NATURAL)
6. INFORMATION IN THIS DRAWING IS NOT CONSIDERED AS FINAL.



Sales Drawing

MATERIAL: SEE NOTES						LANDWIN 聯盈電子股份有限公司		
FINISH(COLOR): SEE NOTES						LANDWIN ELECTRONIC CORP.		
GENERAL TOLERANCE:	PROJECTION	SCALE	UNIT	SHEET NO.	REV			
	⊗	FREE	MM	1 / 1	W1			
	DRAWN	R.G.	DRAW NO.					
	CHECKED	J.L.Lin	(AQ) 3000FXX01					
	APPD	H.Y.Lin	TITLE:					
W1	NEW RELEASE	31-DEC-14'	ANGULAR ±3°	DATE	31-DEC-14'	3.00 PITCH SINGLE-ROW PLUG HOUSING		
REV.	REVISION RECORD	DATE						