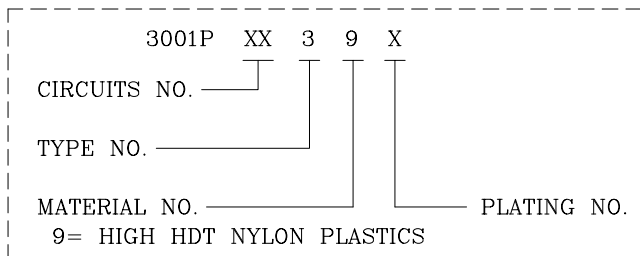


ORDER INFORMATION AND DIMENSION:

Circuits	Part No. (Matte tin-plated)	Dimension	
		A	B
2	3001P02 39V	3.00	9.7
3	3001P03 39V	6.00	12.7
4	3001P04 39V	9.00	15.7
5	3001P05 39V	12.00	18.7
6	3001P06 39V	15.00	21.7
7	3001P07 39V	18.00	24.7
8	3001P08 39V	21.00	27.7
9	3001P09 39V	24.00	30.7
10	3001P10 39V	27.00	33.7
11	3001P11 39V	30.00	36.7
12	3001P12 39V	33.00	39.7

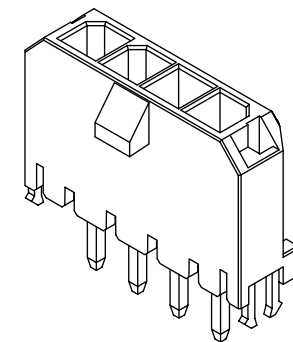
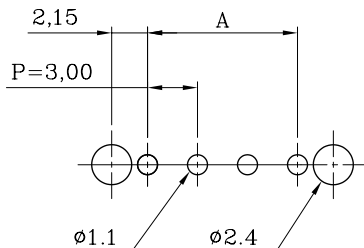
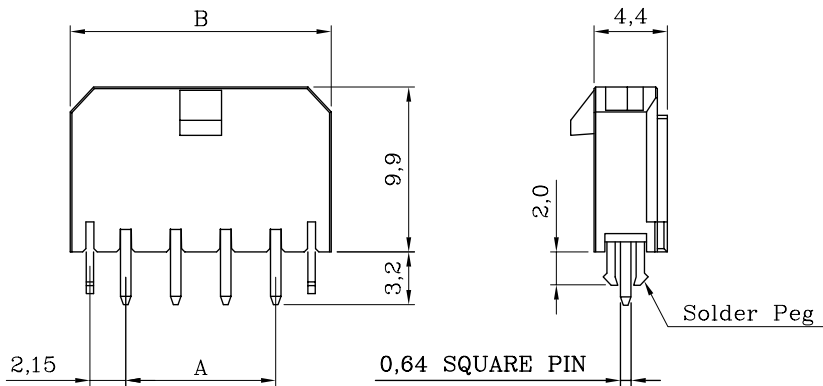
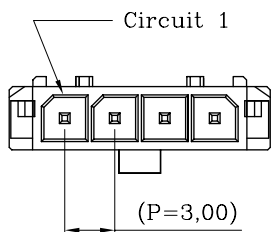
DESCRIPTION OF ORDER NO.:



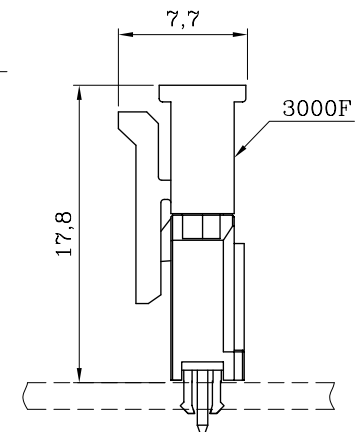
NOTES:

- MATERIAL:
BASE: HIGH HDT NYLON 94V-0, BLACK COLOR
CONTACT PIN: BRASS
SOLDER PEG: BRASS, MATTE TIN-PLATED
- MATES WITH 3000F SINGLE-ROW SERIES PLUG HOUSING.
- DESCRIPTION OF COLOR CODE:
LEGEND: 3001PXX39X-X (-X: COLOR CODE)
R=RED, E=BLUE, H=GRAY, M=GREEN, S=IVORY (NATURAL)
I=BRICK RED,
- REPLACEMENT OF HALOGEN-FREE PRODUCT:
LEGEND: 3001PXX39X-XNH (NH: HALOGEN-FREE)
LEGEND: 3001PXX39X-BNH (B=BLACK COLOR)
- INFORMATION IN THIS DRAWING IS NOT CONSIDERED AS FINAL.

DESCRIPTION OF PLATING CODE:	
V= MATTE TIN-PLATED	A= SELECT GOLD FLASH-PLATED



ISOMETRIC VIEW



ASSEMBLY LAYOUT

P.C. BOARD LAYOUT
(COMPONENT SIDE)



GWT 850 °C Rated Sales Drawing

MATERIAL: SEE NOTES		FINISH(COLOR): SEE NOTES	
W1	NEW RELEASE	31-DEC-14'	ANGULAR ±3°
REV.	REVISION RECORD	DATE	

LANDWIN 聯盈電子股份有限公司
LANDWIN ELECTRONIC CORP.

GENERAL TOLERANCE:	PROJECTION	SCALE	UNIT	SHEET NO.	REV
	⊕	FREE	MM	1 / 1	W1
	DRAWN	R.G.	DRAW NO.		
	CHECKED	J.L.Lin	(CQ) 3001PXX39X		
	APPD	H.Y.Lin	TITLE:		
			3.00 PITCH SINGLE-ROW S/T HEADER (TYPE-3)		