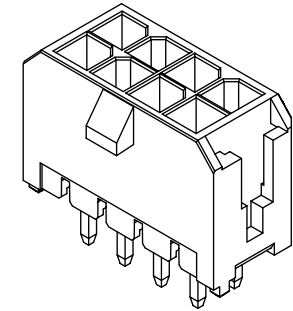
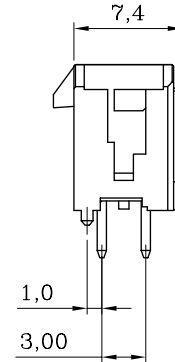
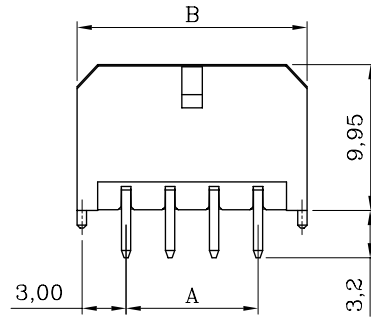
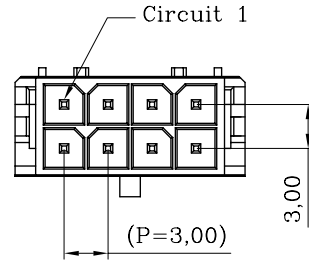


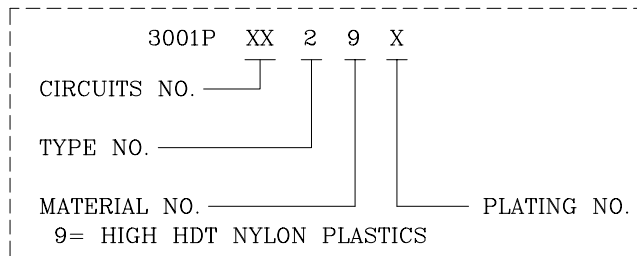
ORDER INFORMATION AND DIMENSION:

Circuits	Part No. (Matte tin-plated)	Dimension	
		A	B
2	3001P02 29V	NA	6.7
4	3001P04 29V	3.00	9.7
6	3001P06 29V	6.00	12.7
8	3001P08 29V	9.00	15.7
10	3001P10 29V	12.00	18.7
12	3001P12 29V	15.00	21.7
14	3001P14 29V	18.00	24.7
16	3001P16 29V	21.00	27.7
18	3001P18 29V	24.00	30.7
20	3001P20 29V	27.00	33.7
22	3001P22 29V	30.00	36.7
24	3001P24 29V	33.00	39.7



ISOMETRIC VIEW

DESCRIPTION OF ORDER NO.:



NOTES:

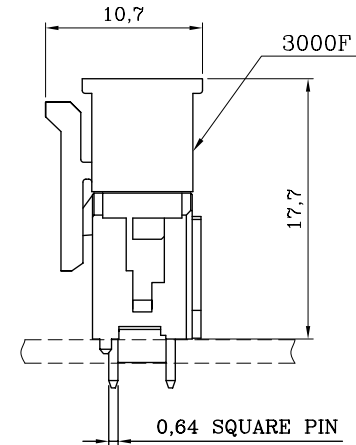
- MATERIAL:  
BASE: HIGH HDT NYLON 94V-0, BLACK COLOR  
CONTACT PIN: BRASS
- MATES WITH 3000F DUAL-ROW SERIES PLUG HOUSING.
- DESCRIPTION OF COLOR CODE:  
LEGEND: 3001PXX29X-X (-X: COLOR CODE)  
R=RED, E=BLUE, H=GRAY, M=GREEN, S=IVORY (NATURAL)  
I=BRICK RED,
- REPLACEMENT OF HALOGEN-FREE PRODUCT:  
LEGEND: 3001PXX29X-XNH (NH: HALOGEN-FREE)  
LEGEND: 3001PXX29X-BNH (B=BLACK COLOR)
- INFORMATION IN THIS DRAWING IS NOT CONSIDERED AS FINAL.

P.C. BOARD LAYOUT  
(COMPONENT SIDE)

MATERIAL: SEE NOTES	
FINISH(COLOR): SEE NOTES	
W1	NEW RELEASE
REV.	REVISION RECORD



GWT 850 °C Rated		Sales Drawing	
<b>LANDWIN</b> 聯盈電子股份有限公司 LANDWIN ELECTRONIC CORP.			
GENERAL TOLERANCE:	PROJECTION FREE	SCALE FREE	UNIT MM
	DRAWN R.G.	DRAW NO. (CQ) 3001PXX29X	
	CHECKED J.L.Lin	TITLE:	
	APPD H.Y.Lin	DATE 31-DEC-14'	
W1	NEW RELEASE	31-DEC-14'	ANGULAR ±3°
REV.	REVISION RECORD	DATE	



ASSEMBLY LAYOUT

DESCRIPTION OF PLATING CODE:	
V= MATTE TIN-PLATED	A= SELECT GOLD FLASH-PLATED