

12 11 10 9 8 7 6 5 4 3 2 1

A

B

C

D

E

F

A

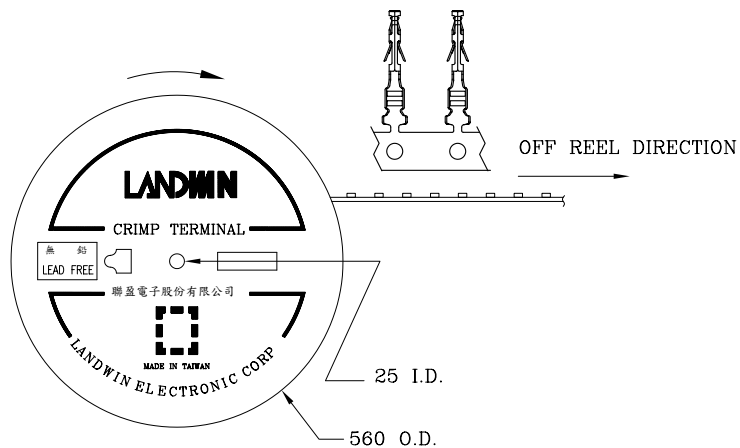
B

C

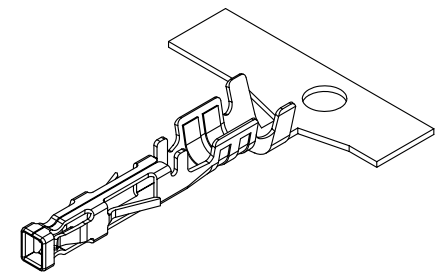
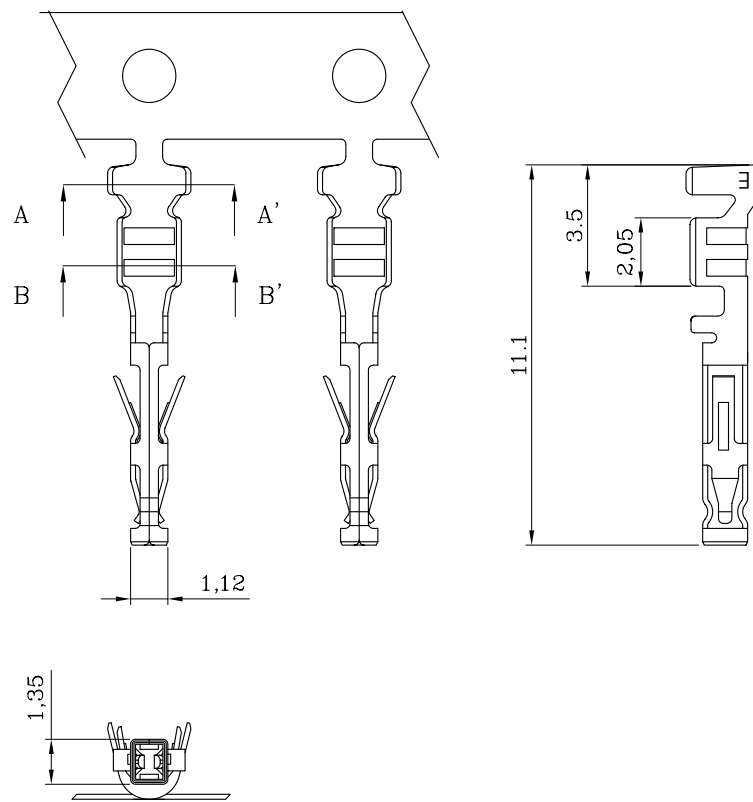
D

E

F

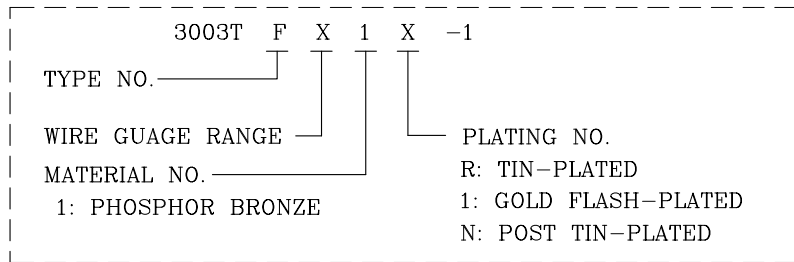


ROLL FORM PACKAGE



ISOMETRIC VIEW

DESCRIPTION OF ORDER NO.:



ORDER INFORMATION AND DIMENSION:

ORDER NO.	TERMINAL TYPE	WIRE GAUGE RANGE (AWG)	INSULATION DIAMETER	Q'TY/REEL	A	B	C	D
3003TF11R-1	CHAIN	#20 ~ #24	ø1.9 MAX.	10,000 PCS	2.5	2.3	1.95	1.75
3003TF21R-1	CHAIN	#26 ~ #30	ø1.3 MAX.	10,000 PCS	2.3	1.9	1.75	1.2

NOTES:

- MATERIAL: PHOSPHOR BRONZE
- USE WITH 3000F SERIES PLUG HOUSING:
 - <1> 3000FXX01 SERIES
 - <2> 3000FXX11 SERIES
- INFORMATION IN THIS DRAWING IS NOT CONSIDERED AS FINAL.



Sales Drawing



聯益電子股份有限公司
LANDWIN ELECTRONIC CORP.

MATERIAL: SEE NOTES		SCALE		UNIT	SHEET NO.	REV
FINISH(COLOR): SEE NOTES		FREE		MM	1 / 1	W1
		PROJECTION	SCALE	DRAW NO.		
		⊕	FREE	(BQ) 3003TFX1X-1		
		DRAWN	R.G.	TITLE:		
		CHECKED	J.L.Lin	CRIMP TERMINAL		
		APPD	H.Y.Lin	(3000F SERIES)		
W1	NEW RELEASE	31-DEC-14'	ANGULAR ±3°	DATE	31-DEC-14'	
REV.	REVISION RECORD	DATE				