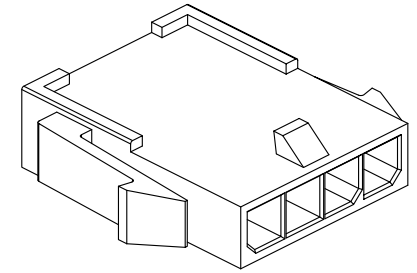
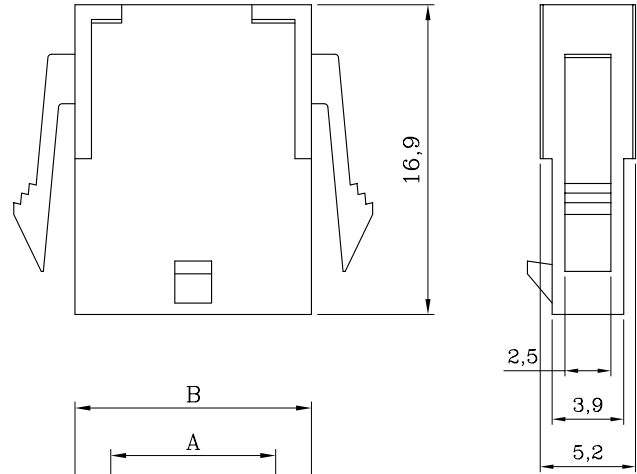
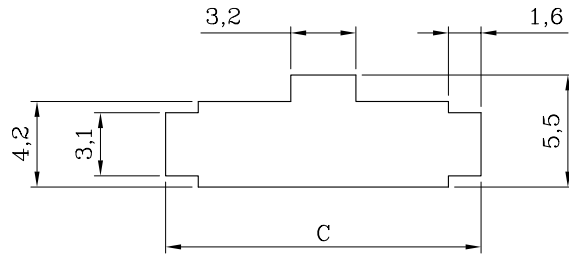


ORDER INFORMATION AND DIMENSION:

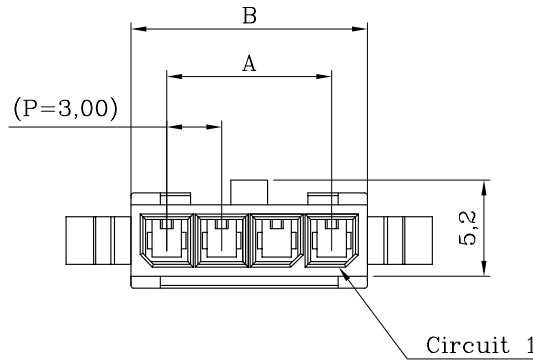
Circuits	Part No.	Dimension		
	Panel-Mount	A	B	C
2	300M02 01	3.00	6.9	10.90
3	300M03 01	6.00	9.9	13.89
4	300M04 01	9.00	12.9	16.89
5	300M05 01	12.00	15.9	19.89
6	300M06 01	15.00	18.9	22.89
7	300M07 01	18.00	21.9	25.88
8	300M08 01	21.00	24.9	28.88
9	300M09 01	24.00	27.9	31.88
10	300M10 01	27.00	30.9	34.87
11	300M11 01	30.00	33.9	37.87
12	300M12 01	33.00	36.9	40.87



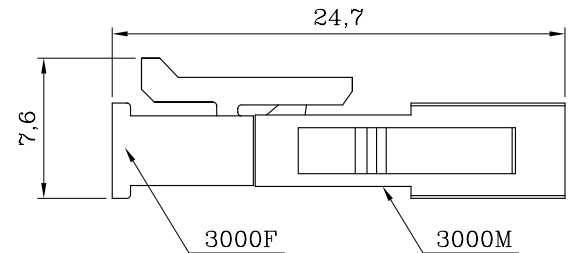
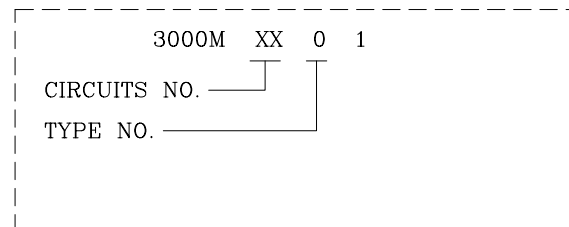
ISOMETRIC VIEW



Panel Cut-off Dimension



DESCRIPTION OF ORDER NO.:



Assembly View

NOTES:

- MATERIAL:
BASE: NYLON66 94V-0, BLACK COLOR
- USE WITH 3003TM SERIES CRIMP TERMINAL.
- MATES WITH 3000F SINGLE-ROW SERIES PLUG HOUSING.
- DESCRIPTION OF COLOR CODE:
LEGEND: 3000MXX01-X (-X: COLOR CODE)
C=COCONUT BROWN, E=BLUE, H=GRAY,
I=BRICK RED, M=GREEN, R=RED, W=BROWN, S=WHITE (NATURAL)
- INFORMATION IN THIS DRAWING IS NOT CONSIDERED AS FINAL.



Sales Drawing

LANDWIN 聯盈電子股份有限公司
LANDWIN ELECTRONIC CORP.

MATERIAL: SEE NOTES		PROJECTION		SCALE	UNIT	SHEET NO.	REV
FINISH(COLOR): SEE NOTES		FREE		FREE	MM	1 / 1	W1
		DRAWN		R.G.	DRAW NO.		
		CHECKED		J.L.Lin	(AQ) 3000MXX01		
		APPD		H.Y.Lin	TITLE:		
W1	NEW RELEASE	31-DEC-14'	ANGULAR ±3°	DATE 31-DEC-14'	3.00 PITCH SINGLE-ROW RECEPTACLE HOUSING		
REV.	REVISION RECORD	DATE					