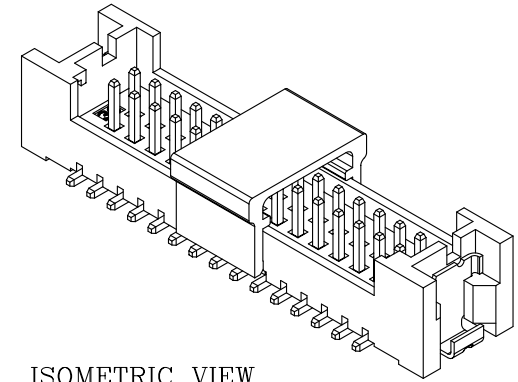
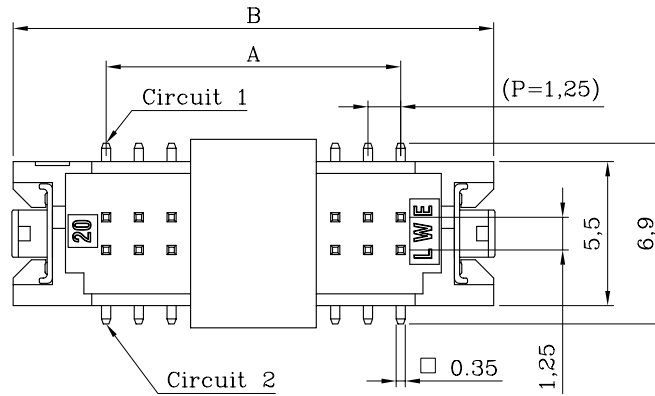


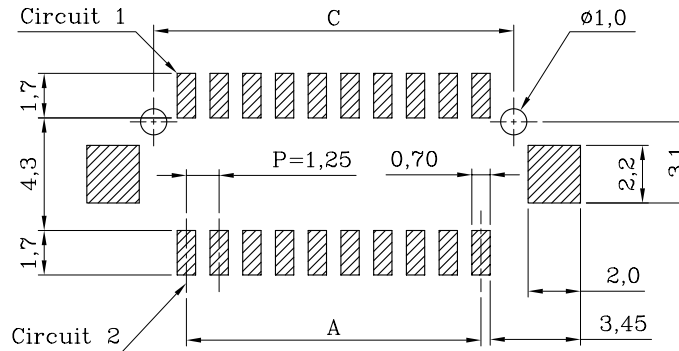
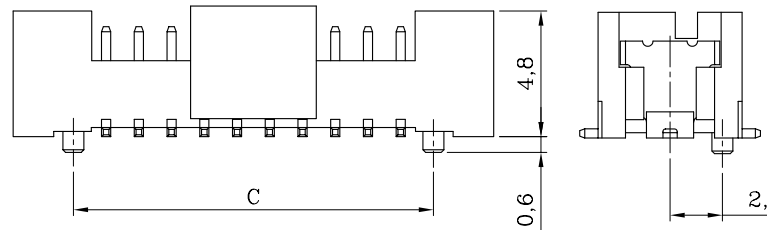
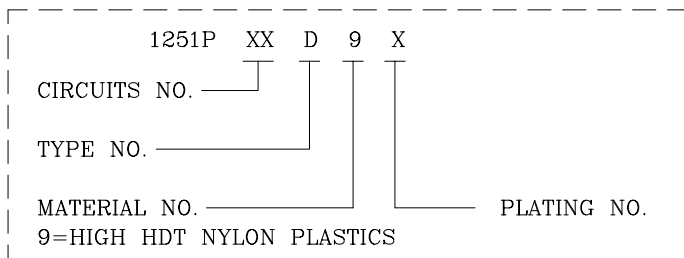
ORDER INFORMATION AND DIMENSION:

Circuits	Part No.		Dimension		
	Reflow Tin Contact Pin	Gold flash Contact Pin	A	B	C
10	1251P10D0T	1251P10D01	5.00	12.10	7.50
20	1251P20D0T	1251P20D01	11.25	18.35	13.75
30	1251P30D0T	1251P30D01	17.50	24.60	20.00
40	1251P40D0T	1251P40D01	23.75	30.85	26.25
50	1251P50D0T	1251P50D01	30.00	37.10	32.50

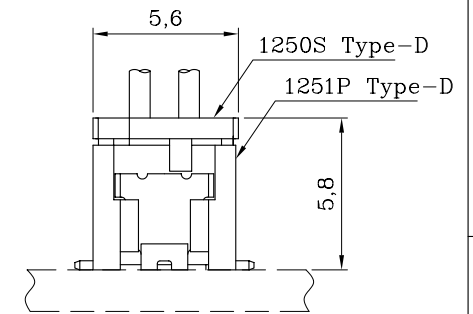


ISOMETRIC VIEW

DESCRIPTION OF ORDER NO.:



P.C. BOARD LAYOUT



ASSEMBLY LAYOUT

NOTES:

- MATERIAL:
BASE: HIGH HDT NYLON 94V-0, IVORY COLOR (NATURAL)
CONTACT PIN: BRASS
- MATES WITH 1250S TYPE-D DUAL-ROW SERIES PLUG HOUSING.
- DESCRIPTION OF COLOR CODE:
LEGEND: 1251PXXD9X-X (X: COLOR CODE)
B=BLACK, C=COCONUT BROWN, E=BLUE, H=GRAY,
I=BRICK RED, M=GREEN, R=RED, W=BROWN
- REPLACEMENT OF HALOGEN-FREE PRODUCT:
LEGEND: 1251PXXD9X-XNH (NH: HALOGEN-FREE)
LEGEND: 1251PXXD9X-SNH (S=NATURAL COLOR)
- INFORMATION IN THIS DRAWING IS NOT CONSIDERED AS FINAL.



Sales Drawing

LANDWIN 聯盈電子股份有限公司
LANDWIN ELECTRONIC CORP.

GENERAL TOLERANCE:	PROJECTION	SCALE	UNIT	SHEET NO.	REV
	⊕	FREE	MM	1 / 1	W1
	DRAWN	R.G.	DRAW NO.		
	CHECKED	J.L.Lin	(CQ) 1251PXXD0X		
	APPD	H.Y.Lin	TITLE:		
W1	NEW RELEASE	31-DEC-14'	ANGULAR ±3°	DATE 31-DEC-14'	1.25 PITCH STRAIGHT DUAL-ROW SMT-HEADER
REV.	REVISION RECORD	DATE			

DESCRIPTION OF PLATING CODE

T	REFLOW TIN-PLATED	1	GOLD FLASH-PLATED
A		A	SELECT GOLD FLASH-PLATED