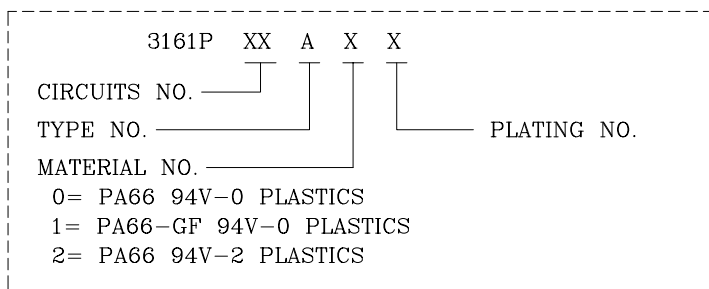


ORDER INFORMATION AND DIMENSION:

Circuits	Part No. (Light Ivory color, T/P) (PA66-GF 94V-0, Type-A)	Dimension	
		A	B
2	3161P02A1T	7.92	11.88
3	3161P03A1T	11.88	15.84
4	3161P04A1T	15.84	19.80
5	3161P05A1T	19.80	23.76
6	3161P06A1T	23.76	27.72
7	3161P07A1T	27.72	31.68
8	3161P08A1T	31.68	35.64
9	3161P09A1T	35.64	39.60
10	3161P10A1T	39.60	43.56
11	3161P11A1T	43.56	47.52
12	3161P12A1T	47.52	51.48
13	3161P13A1T	51.48	55.44
14	3161P14A1T	55.44	59.40

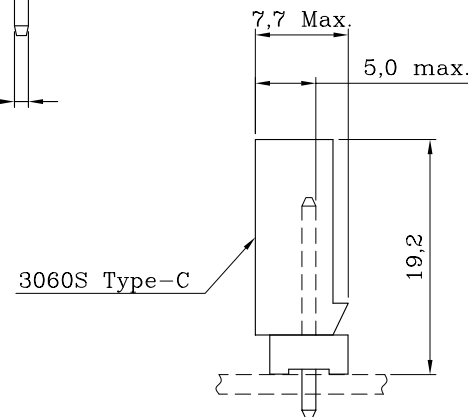
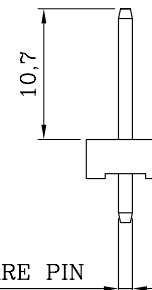
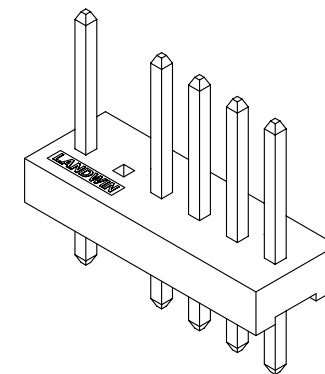
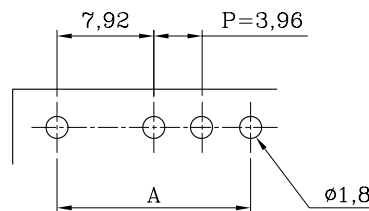
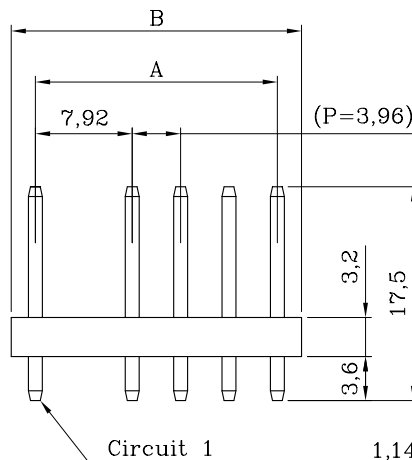
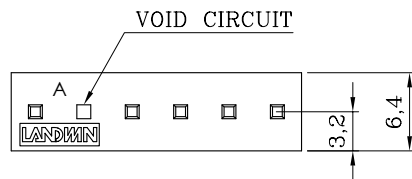
DESCRIPTION OF ORDER NO.:



NOTES:

- MATERIAL:
BASE: PA66 94V-0/94V-2, WHITE COLOR (NATURAL)
BASE (No.=1): PA66-GF 94V-0, LIGHT IVORY COLOR (NATURAL)
CONTACT PIN: BRASS
- MATES WITH 3060SXXAXX SERIES PLUG HOUSING.
- DESCRIPTION OF COLOR NO:
LEGEND: 3161PXXAXX-X (-X: COLOR CODE)
B=BLACK, C=COCONUT BROWN, E=BLUE, H=GRAY.
- REPLACEMENT OF HALOGEN-FREE PRODUCT (PA66-GF BASE):
LEGEND: 3161PXXA1X-XNH (NH: HALOGEN-FREE)
LEGEND: 3161PXXA1X-SNH (S=LIGHT IVORY COLOR)
- INFORMATION IN THIS DRAWING IS NOT CONSIDERED AS FINAL.

DESCRIPTION OF PLATING NO:	
T= TIN-PLATED (T/P)	1= GOLD FLASH-PLATED
V= MATTE TIN-PLATED	



P.C. BOARD LAYOUT
(COMPONENT SIDE)

MATERIAL: SEE NOTES	
FINISH(COLOR): SEE NOTES	
W1	NEW RELEASE
REV.	REVISION RECORD

		Sales Drawing			
		聯盈電子股份有限公司 LANDWIN ELECTRONIC CORP.			
GENERAL TOLERANCE:	PROJECTION	SCALE	UNIT	SHEET NO.	REV
		FREE	MM	1 / 1	W1
	DRAWN	R.G.	DRAW NO.		
	CHECKED	J.L.Lin	(CQ) 3161PXXAXX		
	APPD	H.Y.Lin	TITLE:		
W1	NEW RELEASE	31-DEC-14'	ANGULAR ±3°	DATE 31-DEC-14'	3.96 PITCH SINGLE-ROW S/T HEADER (TYPE-A)
REV.	REVISION RECORD	DATE			