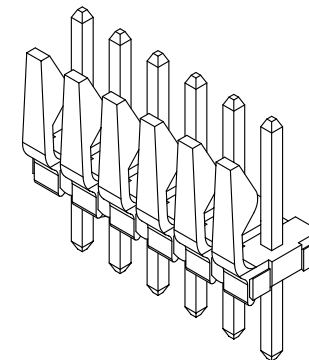
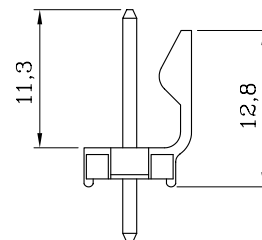
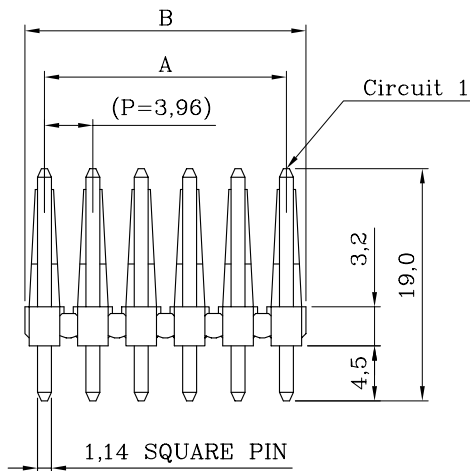
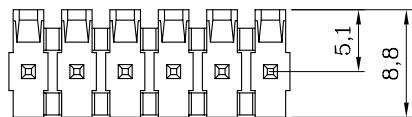


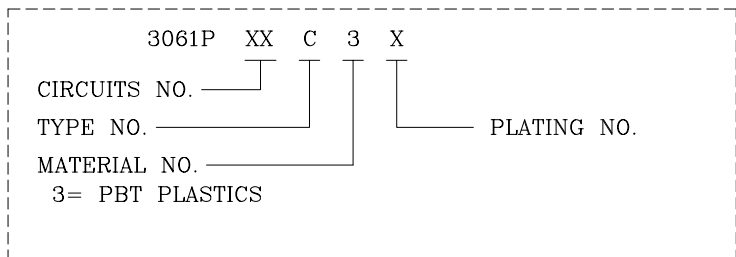
ORDER INFORMATION AND DIMENSION:

Circuits	Part No. (Black color, T/P)	Dimension	
		A	B
2	3061P02C3T	3.96	7.16
3	3061P03C3T	7.92	11.12
4	3061P04C3T	11.88	15.08
5	3061P05C3T	15.84	19.04
6	3061P06C3T	19.80	23.00
7	3061P07C3T	23.76	26.96
8	3061P08C3T	27.72	30.92
9	3061P09C3T	31.68	34.88
10	3061P10C3T	35.64	38.84
11	3061P11C3T	39.60	42.80
12	3061P12C3T	43.56	46.76
13	3061P13C3T	47.52	50.72
14	3061P14C3T	51.48	54.68
15	3061P15C3T	55.44	58.64



ISOMETRIC VIEW

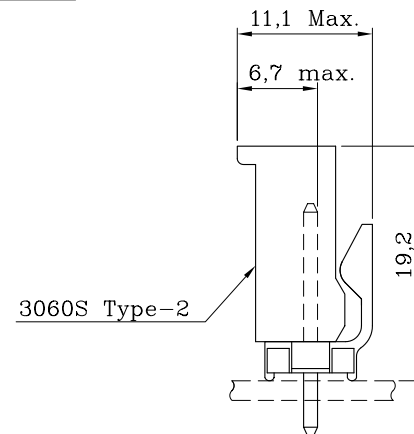
DESCRIPTION OF ORDER NO.:



NOTES:

- MATERIAL:
BASE: PBT-GF 94V-0, BLACK COLOR
CONTACT PIN: BRASS
- MATES WITH PLUG HOUSING: 3060SXX0X, 3060SXX2X, 3060SXX2X-SC, 3060SXX2X-SD, 3060SXXCX, 3060SXXDX.
- DESCRIPTION OF COLOR NO:
LEGEND: 3061PXXC3X-X (-X: COLOR CODE)
C=COCONUT BROWN, E=BLUE, H=GRAY,
I=BRICK RED, M=GREEN, R=RED, W=BROWN
- REPLACEMENT OF HALOGEN-FREE PRODUCT:
LEGEND: 3061PXXC3X-XNH (NH: HALOGEN-FREE)
LEGEND: 3061PXXC3X-BNH (B=BLACK COLOR)
- INFORMATION IN THIS DRAWING IS NOT CONSIDERED AS FINAL.

DESCRIPTION OF PLATING NO:	
T= TIN-PLATED (T/P)	1= GOLD FLASH-PLATED
V= MATTE TIN-PLATED	



ASSEMBLY LAYOUT

P.C. BOARD LAYOUT
(COMPONENT SIDE)

MATERIAL: SEE NOTES	
FINISH(COLOR): SEE NOTES	
W1	NEW RELEASE
REV.	REVISION RECORD



Sales Drawing



聯盈電子股份有限公司
LANDWIN ELECTRONIC CORP.

GENERAL TOLERANCE:	PROJECTION	SCALE	UNIT	SHEET NO.	REV
	⊕	FREE	MM	1 / 1	W1
	DRAWN	R.G.	DRAW NO.		
	CHECKED	J.L.Lin	(CQ) 3061PXXC3X		
	APPD	H.Y.Lin	TITLE:		
	W1	NEW RELEASE	31-DEC-14'	ANGULAR ±3°	DATE 31-DEC-14'
	REV.	REVISION RECORD	DATE	3.96 PITCH SINGLE-ROW S/T HEADER (TYPE-C)	