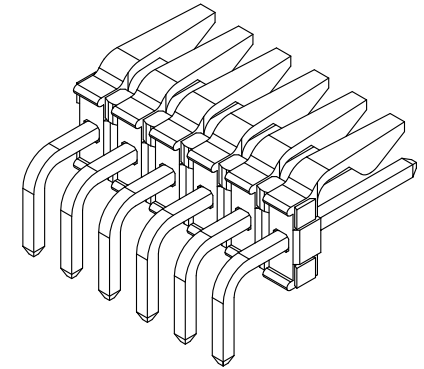
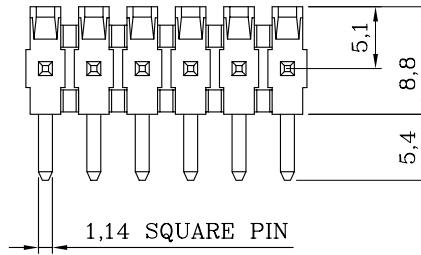
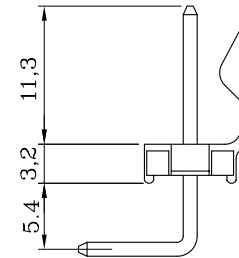
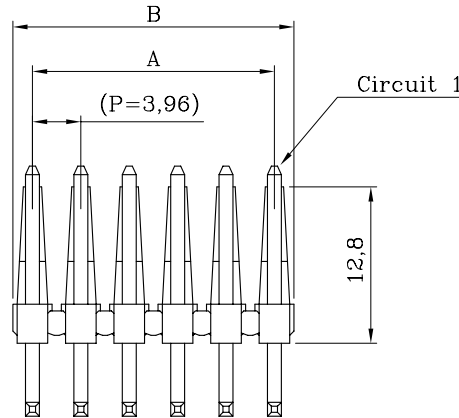


ORDER INFORMATION AND DIMENSION:

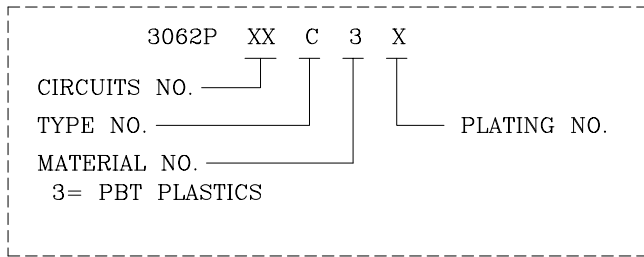
Circuits	Part No. (Black color, T/P)	Dimension	
		A	B
2	3062P02C3T	3.96	7.16
3	3062P03C3T	7.92	11.12
4	3062P04C3T	11.88	15.08
5	3062P05C3T	15.84	19.04
6	3062P06C3T	19.80	23.00
7	3062P07C3T	23.76	26.96
8	3062P08C3T	27.72	30.92
9	3062P09C3T	31.68	34.88
10	3062P10C3T	35.64	38.84
11	3062P11C3T	39.60	42.80
12	3062P12C3T	43.56	46.76
13	3062P13C3T	47.52	50.72
14	3062P14C3T	51.48	54.68
15	3062P15C3T	55.44	58.64



ISOMETRIC VIEW



DESCRIPTION OF ORDER NO.:

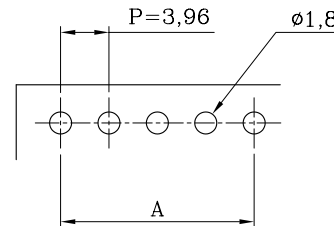


NOTES:

- MATERIAL:
BASE: PBT-GF 94V-0, BLACK COLOR
CONTACT PIN: BRASS
- MATES WITH PLUG HOUSING: 3060SXX0X, 3060SXX2X, 3060SXX2X-SC, 3060SXX2X-SD, 3060SXXCX, 3060SXXDX.
- DESCRIPTION OF COLOR NO:
LEGEND: 3062PXXC3X-X (X: COLOR CODE)
C=COCONUT BROWN, E=BLUE, H=GRAY, I=BRICK RED, M=GREEN, R=RED, W=BROWN
- REPLACEMENT OF HALOGEN-FREE PRODUCT:
LEGEND: 3062PXXC3X-XNH (NH: HALOGEN-FREE)
LEGEND: 3062PXXC3X-BNH (B=BLACK COLOR)
- INFORMATION IN THIS DRAWING IS NOT CONSIDERED AS FINAL.

DESCRIPTION OF PLATING NO:

T= TIN-PLATED (T/P)	1= GOLD FLASH-PLATED
V= MATTE TIN-PLATED	



P.C. BOARD LAYOUT
(COMPONENT SIDE)

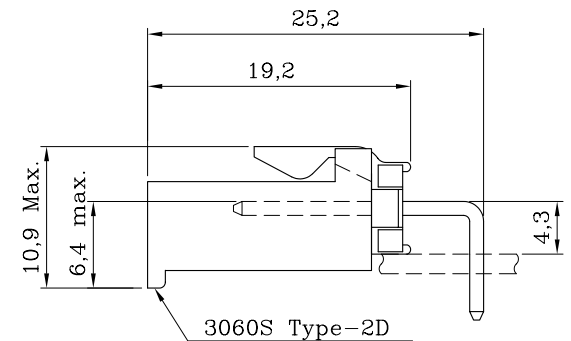
MATERIAL: SEE NOTES	
FINISH(COLOR): SEE NOTES	
W1	NEW RELEASE
REV.	REVISION RECORD
31-DEC-14'	DATE



Sales Drawing

LANDWIN 聯盈電子股份有限公司
LANDWIN ELECTRONIC CORP.

GENERAL TOLERANCE:	PROJECTION	SCALE	UNIT	SHEET NO.	REV
	⊕	FREE	MM	1 / 1	W1
	DRAWN	R.G.	DRAW NO.		
	CHECKED	J.L.Lin	(CQ) 3062PXXC3X		
	APPD	H.Y.Lin	TITLE:		
	DATE	31-DEC-14'	3.96 PITCH SINGLE-ROW R/A HEADER (TYPE-C)		



ASSEMBLY LAYOUT