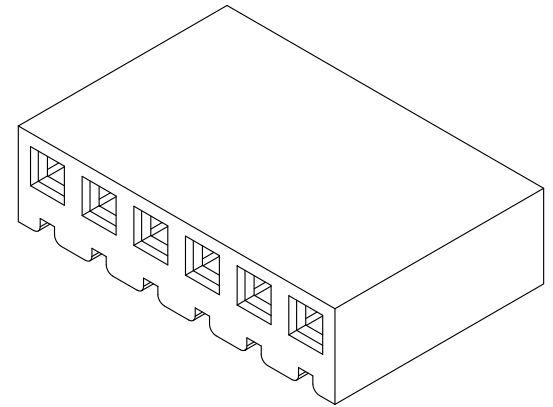
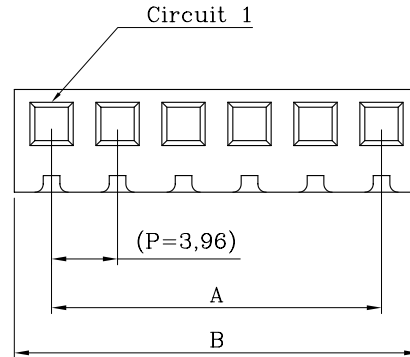


ORDER INFORMATION AND DIMENSION:

Circuits	Part No.		Dimension	
	(White color, Without Ramp)		A	B
	PA66 94V-0	PA66 94V-2		
2	3060S0210	3060S0212	3.96	8.43
3	3060S0310	3060S0312	7.92	12.39
4	3060S0410	3060S0412	11.88	16.35
5	3060S0510	3060S0512	15.84	20.31
6	3060S0610	3060S0612	19.80	24.27
7	3060S0710	3060S0712	23.76	28.23
8	3060S0810	3060S0812	27.72	32.19
9	3060S0910	3060S0912	31.68	36.15
10	3060S1010	3060S1012	35.64	40.11
11	3060S1110	3060S1112	39.60	44.07
12	3060S1210	3060S1212	43.56	48.03
13	3060S1310	3060S1312	47.52	51.99
14	3060S1410	3060S1412	51.48	55.95
15	3060S1510	3060S1512	55.44	59.91

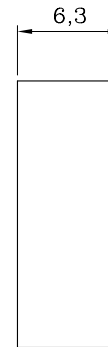
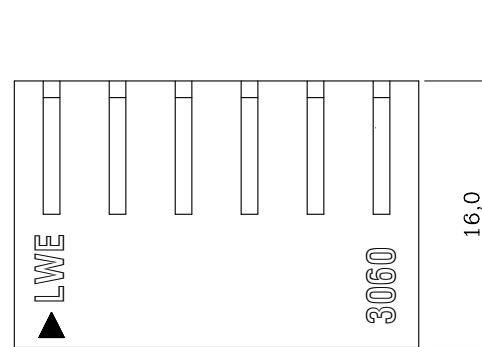
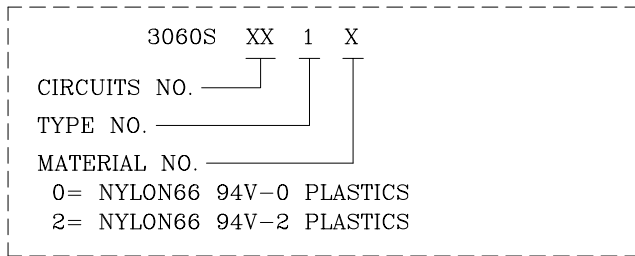


ISOMETRIC VIEW



Type -1 Without Ramp

DESCRIPTION OF ORDER NO.:



NOTES:

- MATERIAL:
BASE: NYLON66 94V-0 / 94V-2, WHITE COLOR (NATURAL)
- USE WITH 3360T012X, 3360T031X SERIES CRIMP TERMINAL.
- MATES WITH 3161P, 3162P HEADER OF 3161PXX0XX, 3161PXX13X, 3162PXX0XX, 3162PXX13X SERIES.
- DESCRIPTION OF COLOR CODE:
LEGEND: 3060SXXX1X-X (-X: COLOR CODE)
B=BLACK, C=COCONUT BROWN, E=BLUE, H=GRAY,
I=BRICK RED, M=GREEN, R=RED, W=BROWN
- INFORMATION IN THIS DRAWING IS NOT CONSIDERED AS FINAL.



Sales Drawing

MATERIAL: SEE NOTES		FINISH(COLOR): SEE NOTES	
W1	NEW RELEASE	31-DEC-14'	ANGULAR ±3°
REV.	REVISION RECORD	DATE	

LANDWIN 聯盈電子股份有限公司		LANDWIN ELECTRONIC CORP.	
GENERAL TOLERANCE:	PROJECTION: FREE	SCALE: MM	SHEET NO. 1 / 1
DRAWN: R.G.	CHECKED: J.L.Lin	APPD: H.Y.Lin	REV: W1
DRAW NO. (AQ) 3060SXX1X		TITLE: 3.96 PITCH SINGLE-ROW PLUG HOUSING (TYPE-1)	