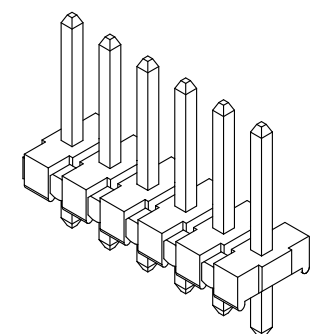
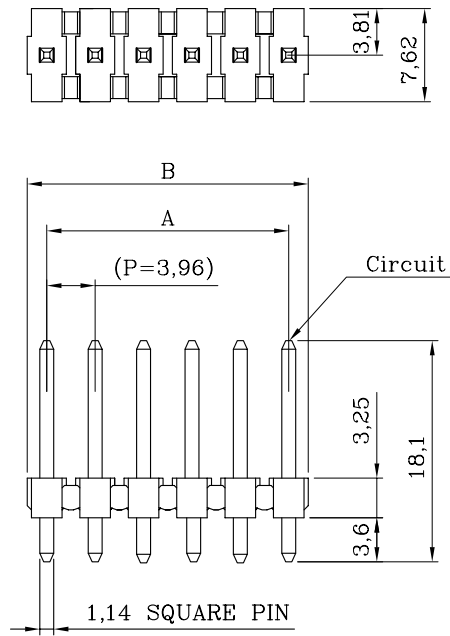
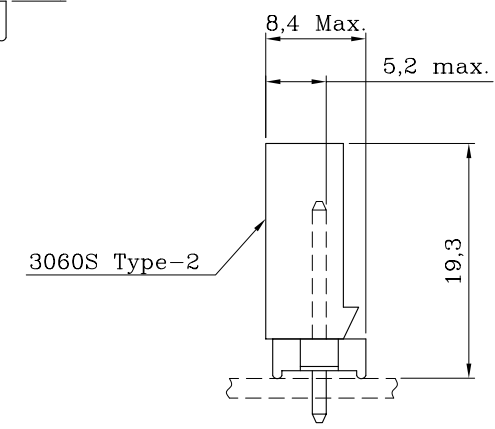
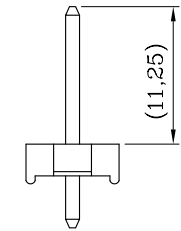


ORDER INFORMATION AND DIMENSION:

Circuits	Part No. (Black color, T/P) (TYPE-1)	Dimension	
		A	B
2	3161P0213T	3.96	7.16
3	3161P0313T	7.92	11.12
4	3161P0413T	11.88	15.08
5	3161P0513T	15.84	19.04
6	3161P0613T	19.80	23.00
7	3161P0713T	23.76	26.96
8	3161P0813T	27.72	30.92
9	3161P0913T	31.68	34.88
10	3161P1013T	35.64	38.84
11	3161P1113T	39.60	42.80
12	3161P1213T	43.56	46.76
13	3161P1313T	47.52	50.72
14	3161P1413T	51.48	54.68
15	3161P1513T	55.44	58.64

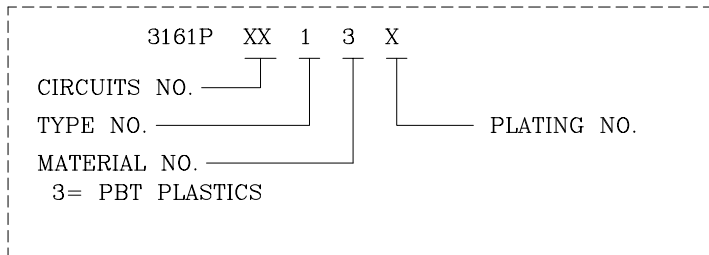


ISOMETRIC VIEW



ASSEMBLY LAYOUT

DESCRIPTION OF ORDER NO.:



NOTES:

- MATERIAL:
BASE: PBT-GF 94V-0, BLACK COLOR
CONTACT PIN: BRASS
- MATES WITH 3060SXX1X, 3060SXXNX SERIES PLUG HOUSING.
- DESCRIPTION OF COLOR NO:
LEGEND: 3161PXX13X-X (-X: COLOR CODE)
C=COCONUT BROWN, E=BLUE, H=GRAY,
I=BRICK RED, M=GREEN, R=RED, W=BROWN
- REPLACEMENT OF HALOGEN-FREE PRODUCT:
LEGEND: 3161PXX13X-XNH (NH: HALOGEN-FREE)
LEGEND: 3161PXX13X-BNH (B=BLACK COLOR)
- INFORMATION IN THIS DRAWING IS NOT CONSIDERED AS FINAL.

DESCRIPTION OF PLATING NO:	
T= TIN-PLATED (T/P)	1= GOLD FLASH-PLATED
V= MATTE TIN-PLATED	

P.C. BOARD LAYOUT
(COMPONENT SIDE)

MATERIAL: SEE NOTES	
FINISH(COLOR): SEE NOTES	
W1	NEW RELEASE
REV.	REVISION RECORD

		Sales Drawing			
聯盈電子股份有限公司 LANDWIN ELECTRONIC CORP.					
GENERAL TOLERANCE:	PROJECTION	SCALE	UNIT	SHEET NO.	REV
		FREE	MM	1 / 1	W1
	DRAWN R.G.	DRAW NO.			
	CHECKED J.L.Lin	(CQ) 3161PXX13X			
	APPD H.Y.Lin	TITLE:			
W1	NEW RELEASE	31-DEC-14'	ANGULAR ±3°	DATE 31-DEC-14'	3.96 PITCH SINGLE-ROW S/T HEADER (TYPE-1)
REV.	REVISION RECORD	DATE			