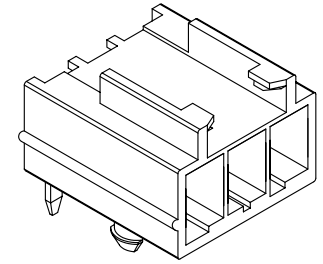
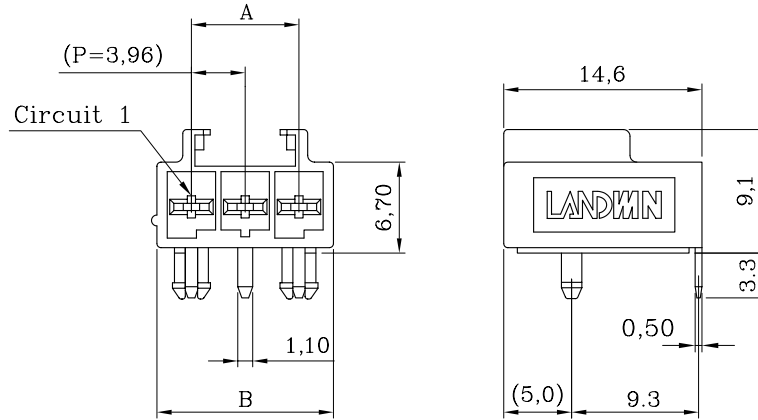


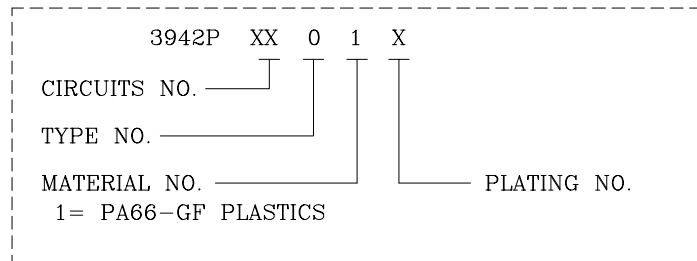
ORDER INFORMATION AND DIMENSION:

Circuits	Part No. (Light ivory color, with Peg)	Dimension	
		A	B
2	3942P02 01V	3.96	9.04
3	3942P03 01V	7.92	13.00
4	3942P04 01V	11.88	16.96
5	3942P05 01V	15.84	20.92
6	3942P06 01V	19.80	24.86
7	3942P07 01V	23.76	28.84
8	3942P08 01V	27.72	32.80
9	3942P09 01V	31.68	36.76
10	3942P10 01V	35.64	40.72
11	3942P11 01V	39.60	44.68
12	3942P12 01V	43.56	48.64



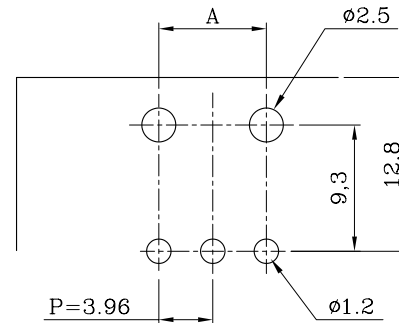
ISOMETRIC VIEW

DESCRIPTION OF ORDER NO.:

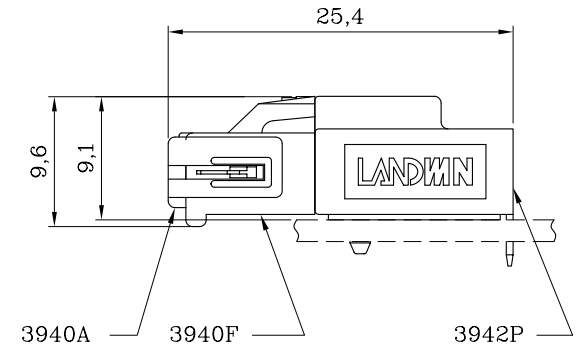


NOTES:

- MATERIAL:
BASE: PA66-GF 94V-0, LIGHT-IVORY (NATURAL COLOR)
CONTACT PIN: BRASS
- MATES WITH 3940F SINGLE-ROW SERIES PLUG HOUSING.
- DESCRIPTION OF COLOR NO.:
LEGEND: 3942PXX01X-X (-X: COLOR CODE)
B=BLACK, R=RED, E=BLUE, H=GRAY,
I=BRICK RED,
- REPLACEMENT OF HALOGEN-FREE PRODUCT:
LEGEND: 3942PXX01X-XNH (NH: HALOGEN-FREE)
LEGEND: 3942PXX01X-SNH (S=LIGHT IVORY COLOR)
- INFORMATION IN THIS DRAWING IS NOT CONSIDERED AS FINAL.



P.C. BOARD LAYOUT



ASSEMBLY LAYOUT

DESCRIPTION OF PLATING NO:	
V= MATTE TIN-PLATED	A= SELECT GOLD FLASH-PLATED (SOLEDER TAIL WITH TIN-PLATED)



High GWT Product Sales Drawing

LANDWIN 聯盈電子股份有限公司
LANDWIN ELECTRONIC CORP.

MATERIAL: SEE NOTES		FINISH(COLOR): SEE NOTES		GENERAL TOLERANCE:		PROJECTION	SCALE	UNIT	SHEET NO.	REV
						⊕	FREE	MM	1 / 1	W1
						DRAWN	R.G.	DRAW NO.		
						CHECKED	J.L.Lin	(CQ) 3942PXX01X		
						APPD	H.Y.Lin	TITLE:		
W1	NEW RELEASE	31-DEC-14'	ANGULAR ±3°	DATE	31-DEC-14'	3.96 PITCH SINGLE-ROW R/A HEADER WITH PEG				
REV.	REVISION RECORD	DATE								