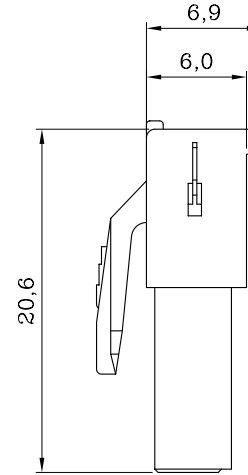
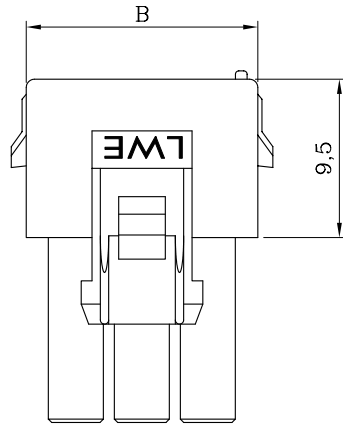
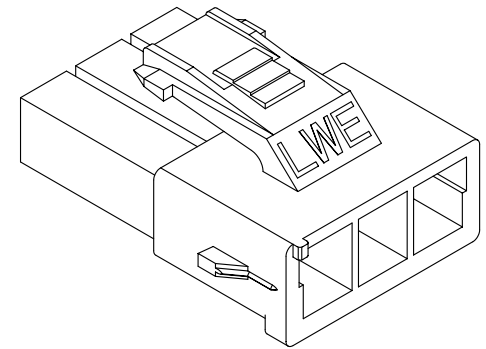
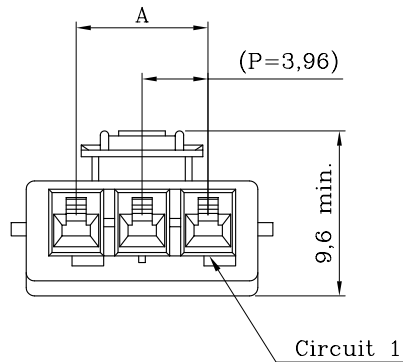
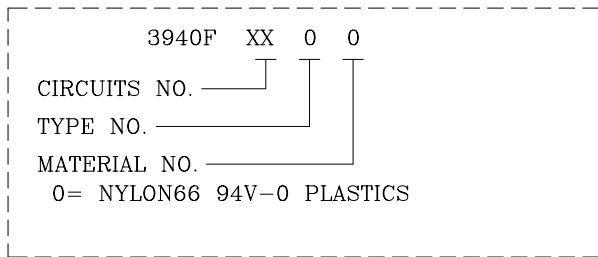


ORDER INFORMATION AND DIMENSION:

Circuits	Part No. (White/Natural color)	Dimension	
		A	B
2	3940F02 00	3.96	9.90
3	3940F03 00	7.92	13.90
4	3940F04 00	11.88	17.86
5	3940F05 00	15.84	21.82
6	3940F06 00	19.80	25.78
7	3940F07 00	23.76	29.74
8	3940F08 00	27.72	33.70
9	3940F09 00	31.68	37.66
10	3940F10 00	35.64	41.62
11	3940F11 00	39.60	45.58
12	3940F12 00	43.56	49.54



DESCRIPTION OF ORDER NO.:



ISOMETRIC VIEW

NOTES:

- MATERIAL:  
BASE: NYLON66 94V-0, WHITE (NATURAL COLOR)
- USE WITH 3943TF SERIES CRIMP TERMINAL.
- MATES WITH 3941P, 3942P SINGLE-ROW SERIES HEADER.
- MATES WITH 3940M SINGLE-ROW SERIES RECEPTACLE HOUSING.
- DESCRIPTION OF COLOR NO.:  
LEGEND: 3940FXX00-X (-X: COLOR CODE)  
B=BLACK, R=RED, E=BLUE, H=GRAY,
- INFORMATION IN THIS DRAWING IS NOT CONSIDERED AS FINAL.



Sales Drawing

**LANDWIN** 聯盈電子股份有限公司  
LANDWIN ELECTRONIC CORP.

MATERIAL: SEE NOTES		PROJECTION		SCALE	UNIT	SHEET NO.	REV
FINISH(COLOR): SEE NOTES		FREE		FREE	MM	1 / 1	W1
		DRAWN R.G.		DRAW NO.			
		CHECKED J.L.Lin		(AQ) 3940FXX00			
		APPD H.Y.Lin		TITLE:			
W1	NEW RELEASE	31-DEC-14'	ANGULAR ±3°	DATE 31-DEC-14'	3.96 PITCH SINGLE-ROW PLUG HOUSING		
REV.	REVISION RECORD	DATE					