

12 11 10 9 8 7 6 5 4 3 2 1

A

B

C

D

E

F

A

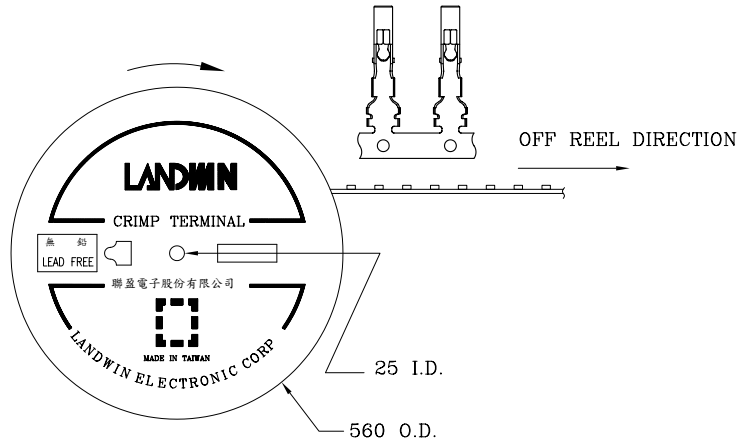
B

C

D

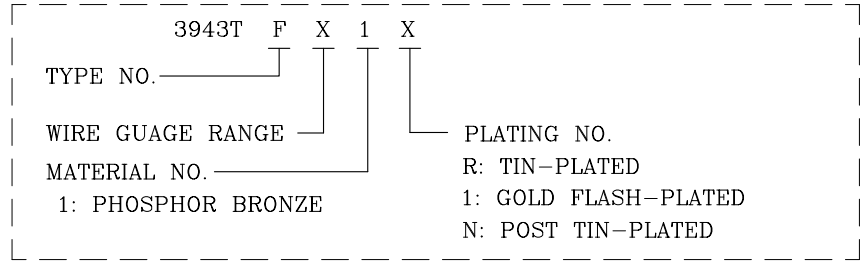
E

F



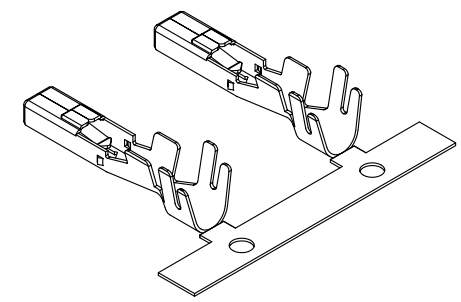
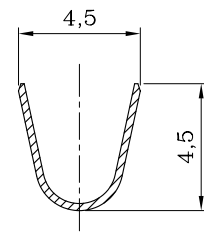
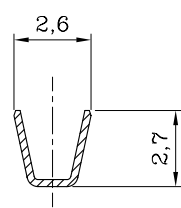
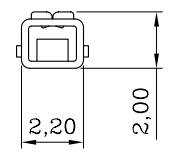
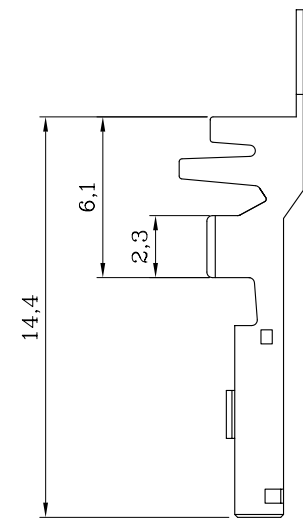
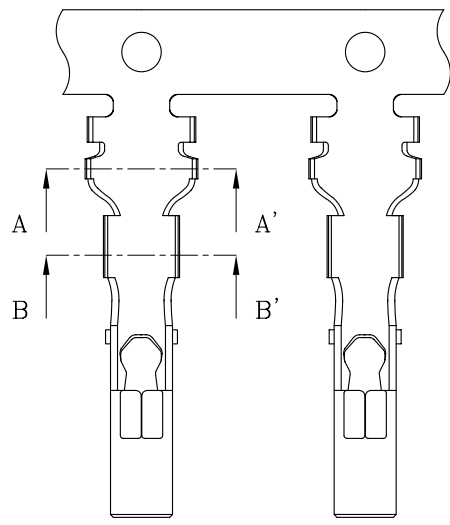
ROLL FORM PACKAGE

DESCRIPTION OF ORDER NO.:



ORDER INFORMATION AND DIMENSION:

ORDER NO.	TERMINAL TYPE	WIRE GAUGE RANGE (AWG)	INSULATION DIAMETER	Q'TY/REEL
3943TF11X	CHAIN	#16 ~ #20	ø3.1 MAX.	4,500 PCS



ISOMETRIC VIEW

SEC. B-B'

SEC. A-A'



Sales Drawing

NOTES:

- MATERIAL: PHOSPHOR BRONZE
- USE WITH 3940F SERIES PLUG HOUSING:
  - <1> 3940FXX00 SERIES
  - <2> 3940FXX10 SERIES
- INFORMATION IN THIS DRAWING IS NOT CONSIDERED AS FINAL.

MATERIAL: SEE NOTES		FINISH(COLOR): SEE NOTES		聯益電子股份有限公司 LANDWIN ELECTRONIC CORP.	
GENERAL TOLERANCE:	PROJECTION	SCALE	UNIT	SHEET NO.	REV
		FREE	MM	1 / 1	W1
	DRAWN R.G.	DRAW NO.			
	CHECKED J.L.Lin	(BQ) 3943TFX1X			
	APPD H.Y.Lin	TITLE:			
W1	NEW RELEASE	31-DEC-14'	ANGULAR ±3°	DATE 31-DEC-14'	CRIMP TERMINAL (3940F SERIES)
REV.	REVISION RECORD	DATE			