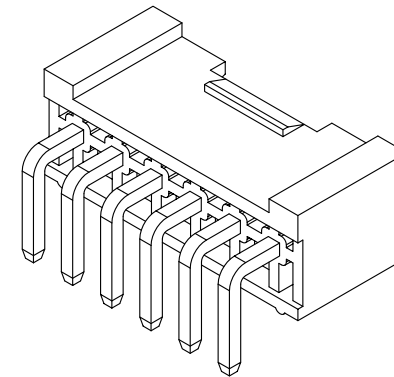
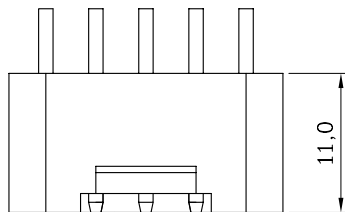


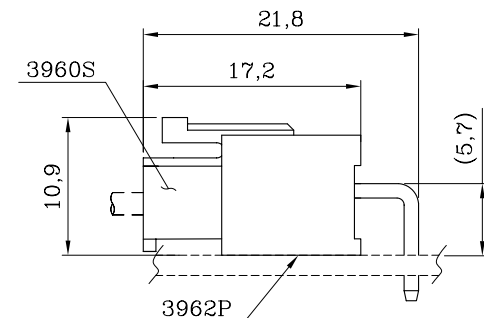
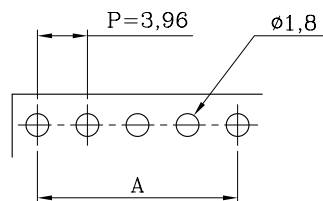
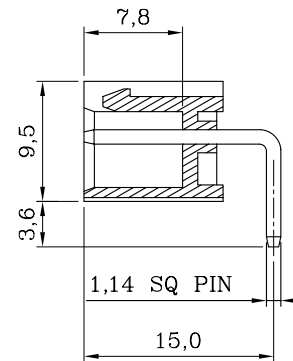
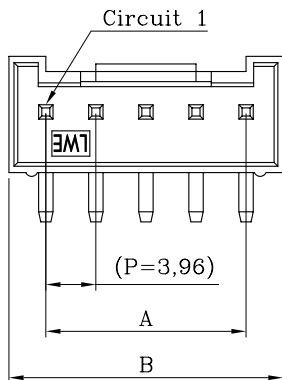
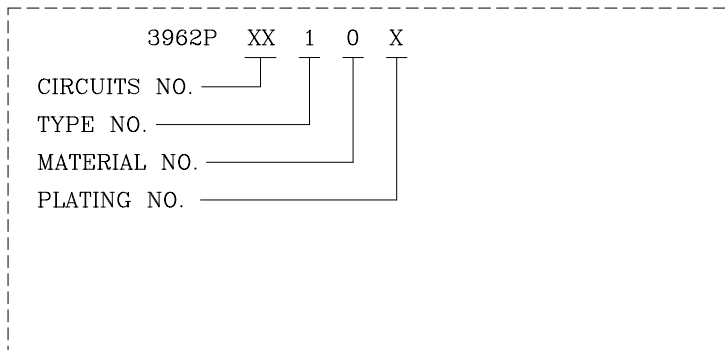
ORDER INFORMATION AND DIMENSION:

Circuits	Part No. (Light ivory color, T/P)	Dimension	
		A	B
2	3962P02 10T	3.96	9.80
3	3962P03 10T	7.92	13.76
4	3962P04 10T	11.88	17.72
5	3962P05 10T	15.84	21.68
6	3962P06 10T	19.80	25.64
7	3962P07 10T	23.76	29.60
8	3962P08 10T	27.72	33.56
9	3962P09 10T	31.68	37.52
10	3962P10 10T	35.64	41.48
11	3962P11 10T	39.60	45.44
12	3962P12 10T	43.56	49.40



ISOMETRIC VIEW

DESCRIPTION OF ORDER NO.:



ASSEMBLY LAYOUT

NOTES:

- MATERIAL:
BASE: NYLON66 94V-0, LIGHT IVORY (NATURAL COLOR)
CONTACT PIN: BRASS
- MATES WITH 3960SXX00 SERIES PLUG HOUSING.
- DESCRIPTION OF COLOR NO.:
LEGEND: 3962PXX10X-X (-X: COLOR CODE)
B=BLACK, R=RED, E=BLUE, H=GRAY,
I=BRICK RED, S=LIGHT IVORY COLOR (NATURAL)
- INFORMATION IN THIS DRAWING IS NOT CONSIDERED AS FINAL.

P.C. BOARD LAYOUT
(COMPONENT SIDE)



Sales Drawing

LANDWIN 聯盈電子股份有限公司
LANDWIN ELECTRONIC CORP.

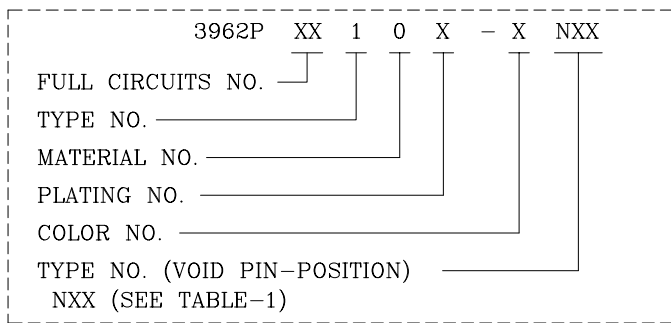
GENERAL TOLERANCE:	PROJECTION	SCALE	UNIT	SHEET NO.	REV
		FREE	MM	1 / 2	W1
	DRAWN	R.G.	DRAW NO.		
	CHECKED	J.L.Lin	(CQ) 3962PXX10X(-XNXX)		
	APPD	H.Y.Lin	TITLE:		
W1	NEW RELEASE	31-DEC-14'	ANGULAR ±3°	DATE 31-DEC-14'	3.96 PITCH SINGLE-ROW R/A HEADER (TYPE-1)
REV.	REVISION RECORD	DATE			

DESCRIPTION OF PLATING NO.:	
T= TIN-PLATED (T/P)	1= GOLD FLASH-PLATED
V= MATTE TIN-PLATED	

ORDER INFORMATION AND DIMENSION:

Full Circuits No.	Part No. (Light ivory color, T/P) (Circuit No.2 Void)	Dimension	
		A	B
3	3962P03 10T-SN02	7.92	13.76
4	3962P04 10T-SN02	11.88	17.72
5	3962P05 10T-SN02	15.84	21.68
6	3962P06 10T-SN02	19.80	25.64
7	3962P07 10T-SN02	23.76	29.60
8	3962P08 10T-SN02	27.72	33.56
9	3962P09 10T-SN02	31.68	37.52
10	3962P10 10T-SN02	35.64	41.48
11	3962P11 10T-SN02	39.60	45.44
12	3962P12 10T-SN02	43.56	49.40

DESCRIPTION OF ORDER NO.:

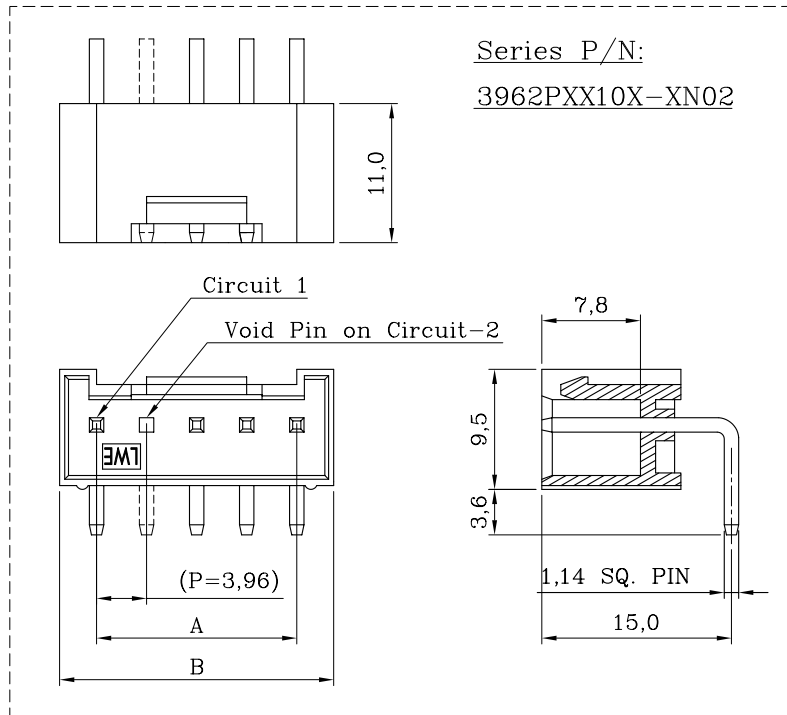


NOTES:

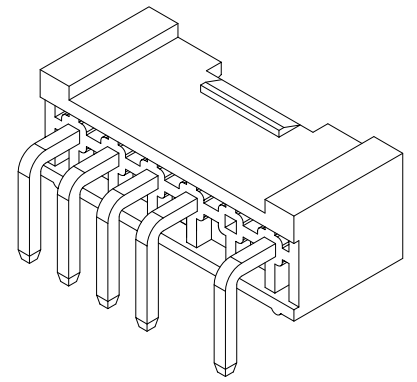
- MATERIAL:
BASE: NYLON66 94V-0
CONTACT PIN: BRASS
- MATES WITH 3960SXX00 SERIES PLUG HOUSING.
- DESCRIPTION OF COLOR NO.:
LEGEND: 3962PXX10X-XNXX (-X: COLOR CODE)
B=BLACK, R=RED, E=BLUE, H=GRAY,
I=BRICK RED, S=LIGHT IVORY (NATURAL COLOR)
- INFORMATION IN THIS DRAWING IS NOT CONSIDERED AS FINAL.

DESCRIPTION OF PLATING NO.:

T= TIN-PLATED (T/P)	1= GOLD FLASH-PLATED
V= MATTE TIN-PLATED	



Series P/N:
3962PXX10X-XN02

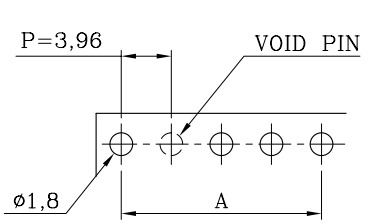


ISOMETRIC VIEW

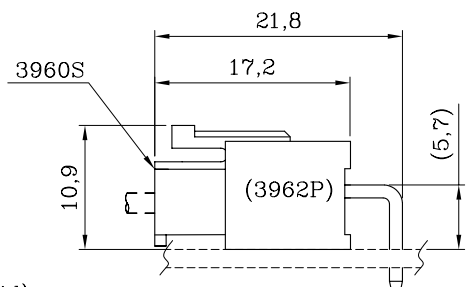
(Example: Pin-2 Void)
(Series P/N: 3962PXX10X-XN02)

TABLE-1

TYPE NO. (VOID PIN)	Circuit No. with Void Pin
N02	N0.2
NXX	XX = 03 ~ 15
NB1	1, 3
NB2	2, 4
NB8	8, 10
NC2	2, 4, 6
NC3	3, 5, 7
ND2	2, 4, 6, 8
NE2	2, 4, 6, 8, 10
NF2	2, 4, 6, 8, 10, 12
NG2	2, 4, 6, 8, 10, 12, 14



P.C. BOARD LAYOUT
(COMPONENT SIDE, Circuit-2 Void)
(Series P/N: 3962PXX10X-XN02)



ASSEMBLY LAYOUT



Sales Drawing

MATERIAL: SEE NOTES		FINISH(COLOR): SEE NOTES		聯盈電子股份有限公司 LANDWIN ELECTRONIC CORP.	
GENERAL TOLERANCE:		PROJECTION	SCALE		
		FREE	FREE	MM	2 / 2
		DRAWN R.G.	DRAW NO.		W1
		CHECKED J.L.Lin	(CQ) 3962PXX10X(-XNXX)		
		APPD H.Y.Lin	TITLE:		3.96 PITCH R/A HEADER (VOID PIN TYPE-1)
W1	NEW RELEASE	31-DEC-14'	ANGULAR ±3°	DATE 31-DEC-14'	
REV.	REVISION RECORD	DATE			