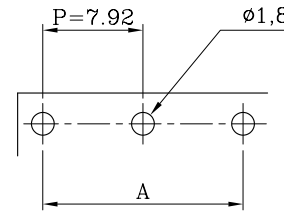
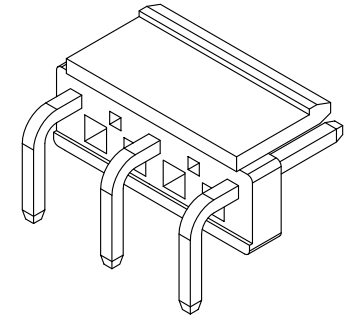


ORDER INFORMATION AND DIMENSION:

Total Circuits No.	In-Use Circuits No.	Part No. (White color, T/P)	No. of Void Circuits	Dimension	
				A	B
3	2	3962P03 00T-SN02	2	7.92	13.76
5	3	3962P05 00T-SNB2	2, 4	15.84	21.68
7	4	3962P07 00T-SNC2	2, 4, 6	23.76	29.60
9	5	3962P09 00T-SND2	2, 4, 6, 8	31.68	37.52
11	6	3962P11 00T-SNE2	2, 4, 6, 8, 10	39.60	45.44
13	7	3962P13 00T-SNF2	2, 4, 6, 8, 10, 12	47.52	53.36
15	8	3962P15 00T-SNG2	2, 4, 6, 8, 10, 12, 14	55.44	61.28

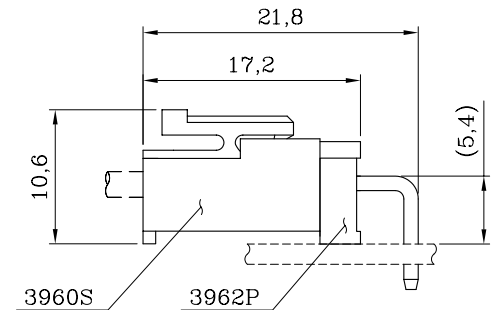
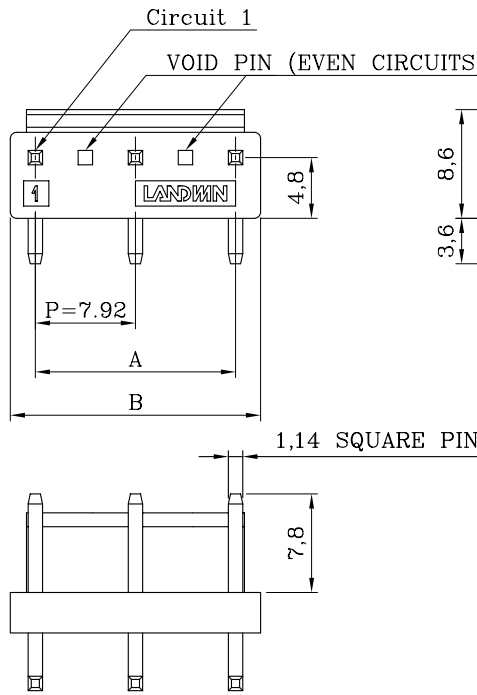
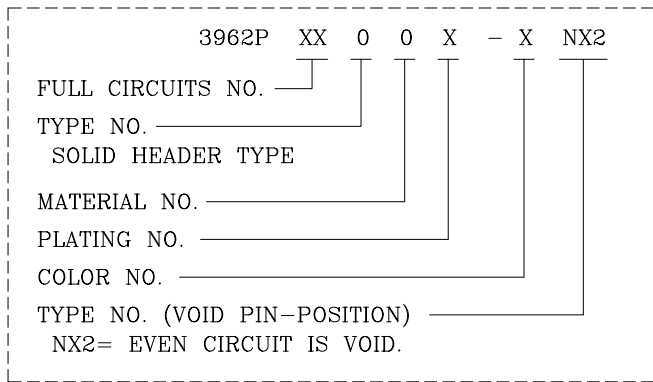


P.C. BOARD LAYOUT (COMPONENT SIDE)



ISOMETRIC VIEW

DESCRIPTION OF ORDER NO.:



ASSEMBLY LAYOUT

NOTES:

- MATERIAL:
BASE: NYLON66 94V-0
CONTACT PIN: BRASS
- MATES WITH 3960S SINGLE-ROW SERIES PLUG HOUSING.
- DESCRIPTION OF COLOR NO.:
LEGEND: 3962PXX00X-XNX2 (-X: COLOR CODE)
B=BLACK, R=RED, E=BLUE, H=GRAY,
I=BRICK RED, S=WHITE (NATURAL COLOR)
- INFORMATION IN THIS DRAWING IS NOT CONSIDERED AS FINAL.

DESCRIPTION OF PLATING NO.:	
T= TIN-PLATED (T/P)	1= GOLD FLASH-PLATED
V= MATTE TIN-PLATED	



Sales Drawing

LANDWIN 聯盈電子股份有限公司
LANDWIN ELECTRONIC CORP.

MATERIAL: SEE NOTES		FINISH(COLOR): SEE NOTES	
W1	NEW RELEASE	31-DEC-14'	ANGULAR ±3°
REV.	REVISION RECORD	DATE	

GENERAL TOLERANCE:	PROJECTION	SCALE	UNIT	SHEET NO.	REV
		FREE	MM	1 / 1	W1
	DRAWN R.G.	DRAW NO.			
	CHECKED J.L.Lin	(CQ) 3962PXX00X-XNX2			
	APPD H.Y.Lin	TITLE:			
	DATE 31-DEC-14'	7.92 PITCH R/A HEADER (WITH 3.96 PITCH BASE)			