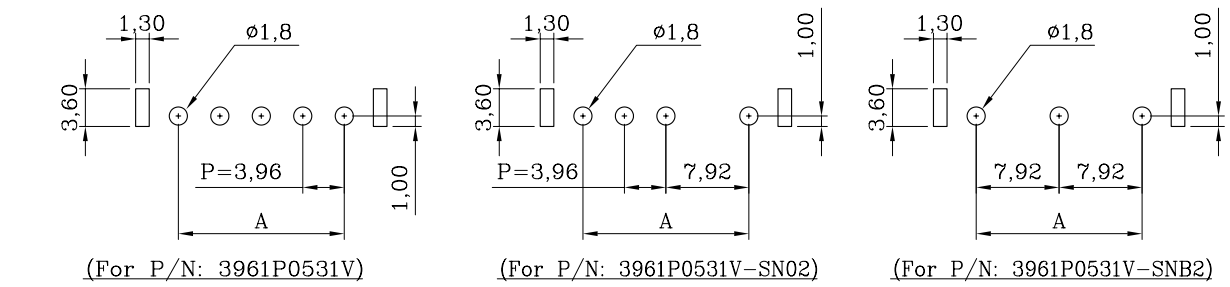
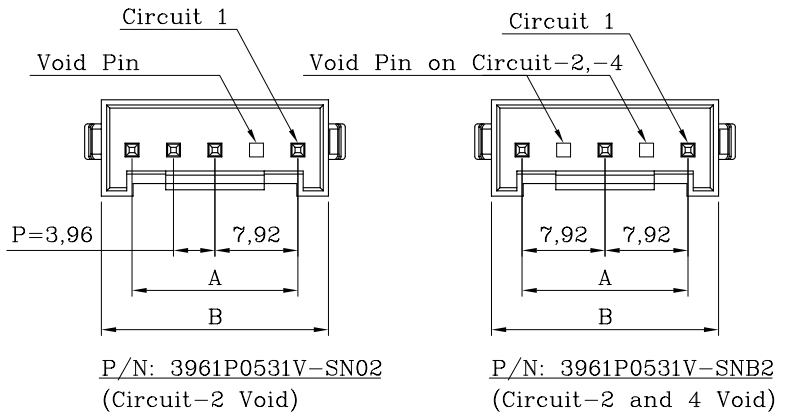
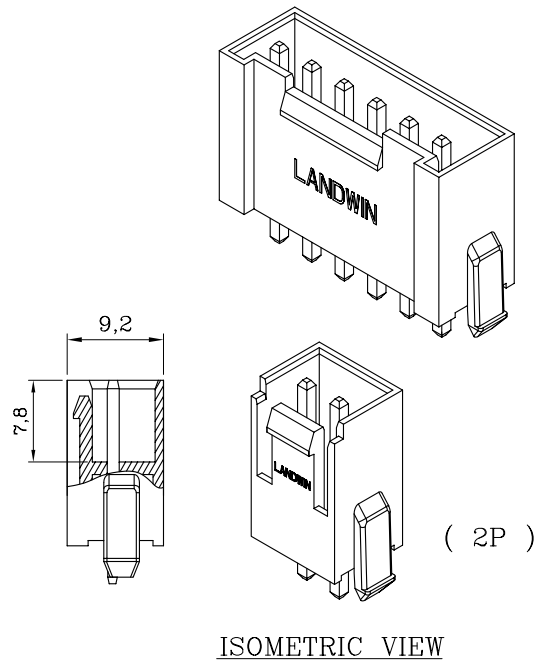
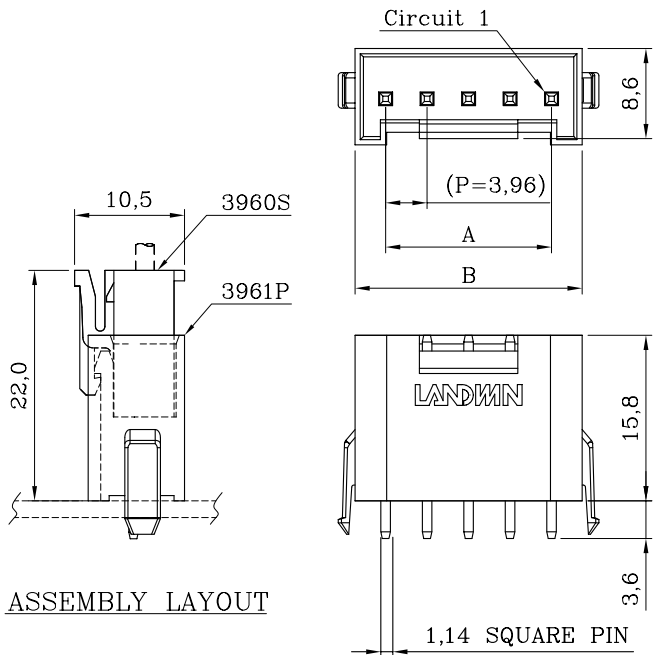
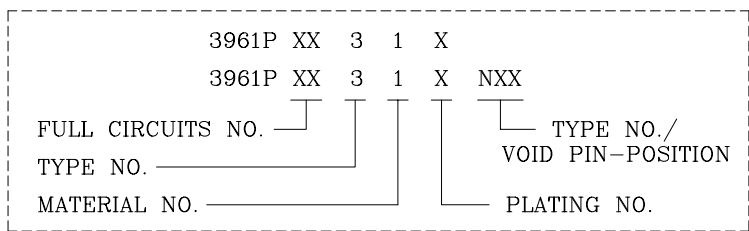


ORDER INFORMATION AND DIMENSION:

Full Circuit No.	Part No.		Dimension	
	Full Circuits	Part No. with Void Pin	A	B
2	3961P0231V	N/A	3.96	9.80
3	3961P0331V	3961P0331V-SN02	7.92	13.76
5	3961P0531V	3961P0531V-SNB2	15.84	21.68

DESCRIPTION OF ORDER NO.:



NOTES:

- MATERIAL:
 BASE: PA66-GF 94V-0
 CONTACT PIN: BRASS
- MATES WITH 3960S TYPE-A/XA SERIES PLUG HOUSING.
- DESCRIPTION OF COLOR NO.:
 LEGEND: 3961PXX31X-XNXX (-X: COLOR CODE)
 B=BLACK, R=RED, S=LIGHT IVORY (NATURAL COLOR)
- REPLACEMENT OF HALOGEN-FREE PRODUCT:
 LEGEND: 3961PXX31X-XNH (NH: HALOGEN-FREE)
 LEGEND: 3961PXX31X-SNH (S=LIGHT IVORY COLOR)
- COLOR OF 3961PXX31X IS LIGHT IVORY COLOR.
- INFORMATION IN THIS DRAWING IS NOT CONSIDERED AS FINAL.

DESCRIPTION OF PLATING NO.:

T= TIN-PLATED (T/P)	1= GOLD FLASH-PLATED
V= MATTE TIN-PLATED	

P.C. BOARD LAYOUT (COMPONENT SIDE)

RoHS RoHS Compliant	REACH REACH Compliant	High GWT Rated	Sales Drawing		
MATERIAL: SEE NOTES		LANDWIN 聯盈電子股份有限公司 LANDWIN ELECTRONIC CORP.			
FINISH(COLOR): SEE NOTES					
GENERAL TOLERANCE:	PROJECTION	SCALE	UNIT	SHEET NO.	REV
	⊕	FREE	MM	1 / 1	W1
	DRAWN	R.G.	DRAW NO.		
	CHECKED	J.L.Lin	(CQ) 3961PXX31X-XNXX		
	APPD	H.Y.Lin	TITLE:		
W1	NEW RELEASE	31-DEC-14'	ANGULAR ±3°	DATE	31-DEC-14'
REV.	REVISION RECORD	DATE	3.96 PITCH S/T HEADER HIGH TEMPERATUR TYPE-3		