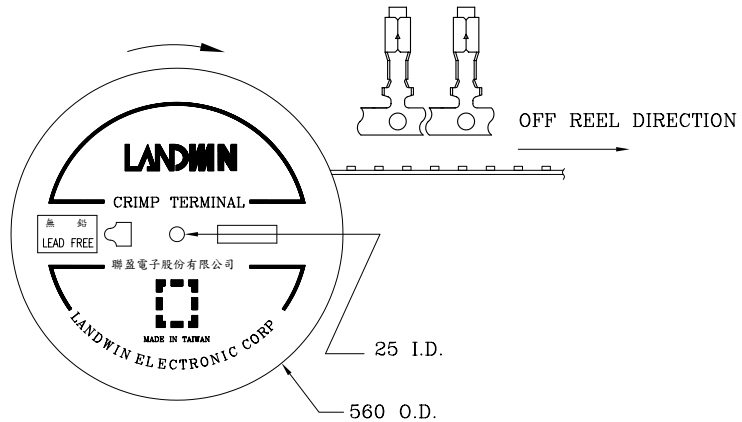
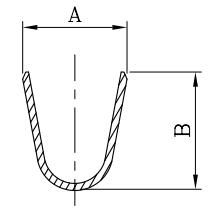
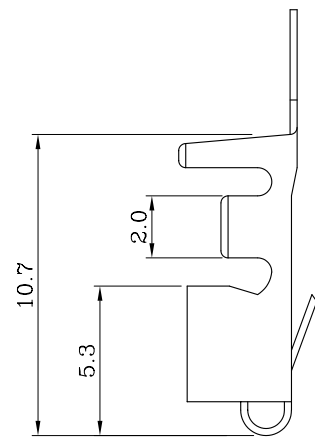
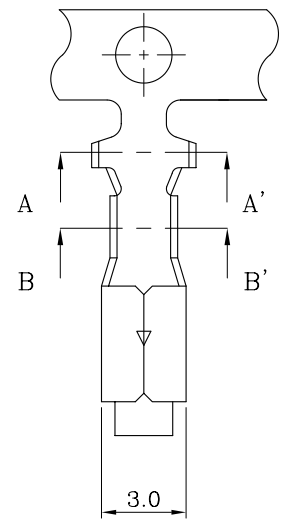


12 11 10 9 8 7 6 5 4 3 2 1

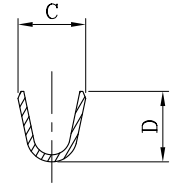
A



ROLL FORM PACKAGE



SEC. A-A'



SEC. B-B'

B

C

DESCRIPTION OF ORDER NO.:

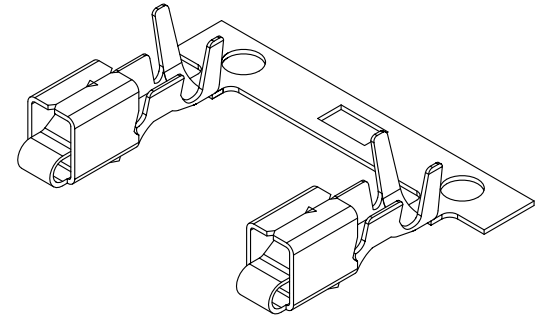
3963T	0	X	X	X
TYPE NO.	WIRE GAUGE RANGE	MATERIAL NO.	PLATING NO.	
		1: PHOSPHOR BRONZE 2: BRASS	R: TIN-PLATED 1: GOLD FLASH-PLATED N: POST TIN-PLATED V: MATTE TIN-PLATED	

D

ORDER INFORMATION AND DIMENSION:

ORDER NO.	TERMINAL TYPE	WIRE GAUGE RANGE (AWG)	INSULATION DIAMETER	Q'TY/REEL	A	B	C	D
3963T011X	CHAIN	#18 ~ #22	ø2.7 MAX.	3,500 PCS	3.7	4.2	2.4	2.5
3963T012X	CHAIN	#18 ~ #22	ø2.7 MAX.	3,500 PCS	3.7	4.2	2.4	2.5
3963T021X	CHAIN	#16 ~ #20	ø3.0 MAX.	3,000 PCS	4.0	4.8	3.1	3.4
3963T022X	CHAIN	#16 ~ #20	ø3.0 MAX.	3,000 PCS	4.0	4.8	3.1	3.4

E



ISOMETRIC VIEW

F

NOTES:

- MATERIAL: PHOSPHOR BRONZE / BRASS
- USE WITH PLUG HOUSING:
  - <1> 3960SXXX00 SERIES
  - <2> 3960SXXXA1 SERIES
  - <3> 3960SXX01-XA SERIES
  - <4> 5000SXX00 SERIES
  - <5> 5080SXXN0 SERIES
- INFORMATION IN THIS DRAWING IS NOT CONSIDERED AS FINAL.



Sales Drawing

**LANDWIN** 聯盈電子股份有限公司  
LANDWIN ELECTRONIC CORP.

MATERIAL: SEE NOTES		PROJECTION:		SCALE: FREE		UNIT: MM	SHEET NO: 1 / 1	REV: W1
FINISH(COLOR): SEE NOTES		DRAWN: R.G.		CHECKED: J.L.Lin		DRAW NO. (BQ) 3963TOXXX		
W1 NEW RELEASE		DATE: 31-DEC-14'		ANGULAR ±3°		TITLE: CRIMP TERMINAL (3960S SERIES)		
REV. REVISION RECORD		DATE						