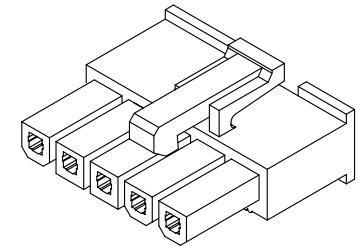
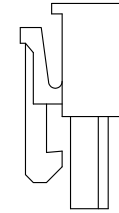
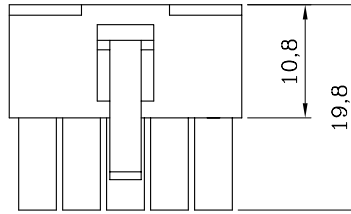


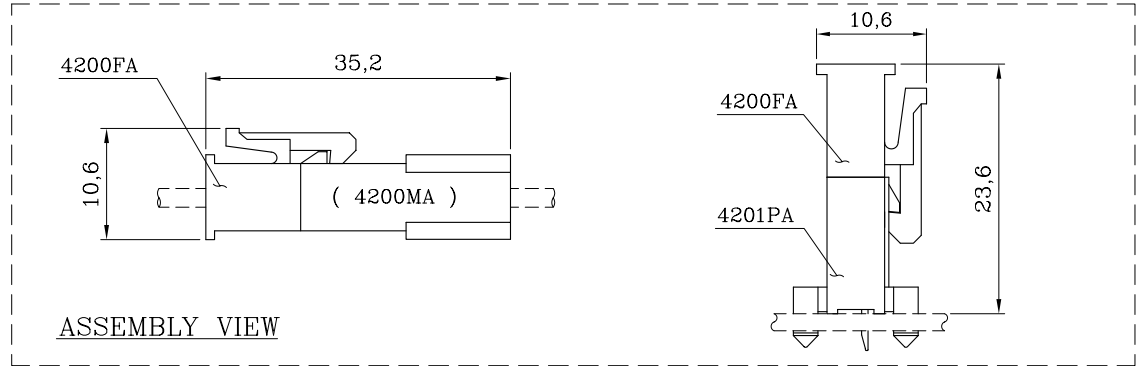
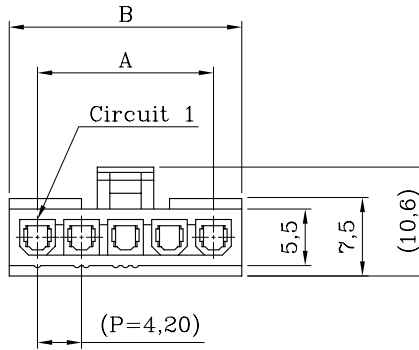
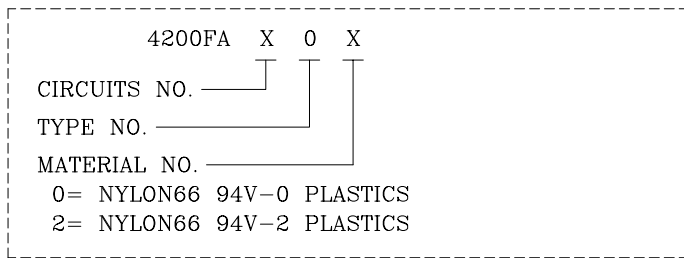
ORDER INFORMATION AND DIMENSION:

Circuits	Part No.		Dimension	
	UL 94V-0	UL 94V-2	A	B
2	4200FA2 00	4200FA2 02	4.2	9.8
3	4200FA3 00	4200FA3 02	8.4	14.0
4	4200FA4 00	4200FA4 02	12.6	18.2
5	4200FA5 00	4200FA5 02	16.8	22.4



ISOMETRIC VIEW

DESCRIPTION OF ORDER NO.:



NOTES:

- MATERIAL:
BASE: NYLON66 94V-0/94V-2, WHITE (NATURAL COLOR)
- USE WITH 4203TF SERIES CRIMP TERMINAL.
- MATES WITH 4201PA, 4202PA SINGLE-ROW SERIES HEADER.
- MATES WITH 4200MA SINGLE-ROW SERIES RECEPTACLE HOUSING.
- DESCRIPTION OF COLOR NO.:
LEGEND: 4200FAXOX-X (-X: COLOR CODE)
B=BLACK, C=COCONUT BROWN, E=BLUE, H=GRAY,
I=BRICK RED, M=GREEN, R=RED, W=BROWN
- INFORMATION IN THIS DRAWING IS NOT CONSIDERED AS FINAL.



MATERIAL: SEE NOTES
FINISH(COLOR): SEE NOTES

Sales Drawing

LANDWIN 聯盈電子股份有限公司
LANDWIN ELECTRONIC CORP.

GENERAL TOLERANCE:	PROJECTION	SCALE	UNIT	SHEET NO.	REV
		FREE	MM	1 / 1	W1
	DRAWN	R.G.	DRAW NO.		
	CHECKED	J.L.Lin	(AQ) 4200FAXOX		
	APPD	H.Y.Lin	TITLE:		
W1	NEW RELEASE	31-DEC-14'	ANGULAR ±3°	DATE 31-DEC-14'	4.20 PITCH SINGLE-ROW PLUG HOUSING
REV.	REVISION RECORD	DATE			