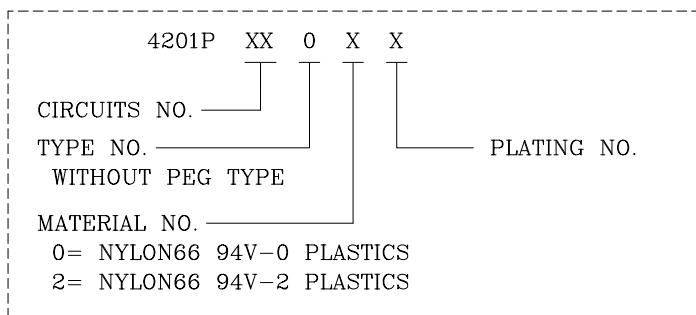


ORDER INFORMATION AND DIMENSION:

Circuits	Part No.		Dimension	
	NYLON66 UL94V-0	NYLON66 UL94V-2	A	B
2	4201P02 00T	4201P02 02T	n/a	5.4
4	4201P04 00T	4201P04 02T	4.2	9.6
6	4201P06 00T	4201P06 02T	8.4	13.8
8	4201P08 00T	4201P08 02T	12.6	18.0
10	4201P10 00T	4201P10 02T	16.8	22.2
12	4201P12 00T	4201P12 02T	21.0	26.4
14	4201P14 00T	4201P14 02T	25.2	30.6
16	4201P16 00T	4201P16 02T	29.4	34.8
18	4201P18 00T	4201P18 02T	33.6	39.0
20	4201P20 00T	4201P20 02T	37.8	43.2
22	4201P22 00T	4201P22 02T	42.0	47.4
24	4201P24 00T	4201P24 02T	46.2	51.6
26	4201P26 00T	4201P26 02T	50.4	55.8
28	4201P28 00T	4201P28 02T	54.6	60.0

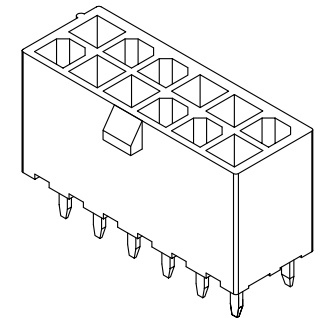
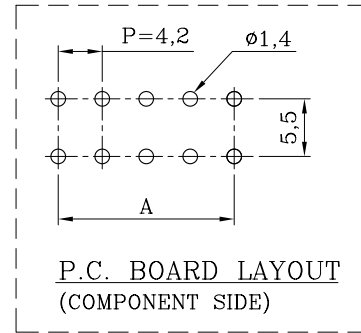
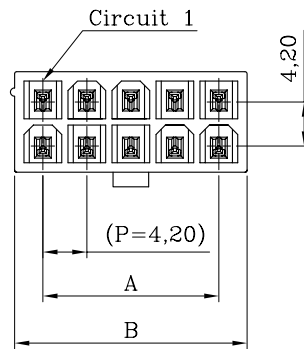
DESCRIPTION OF ORDER NO.:



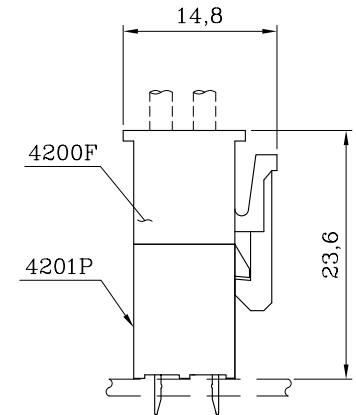
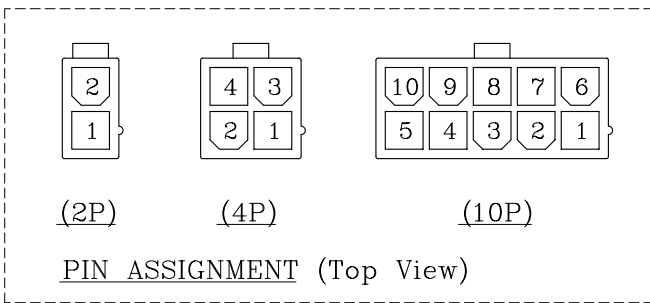
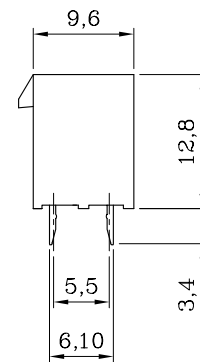
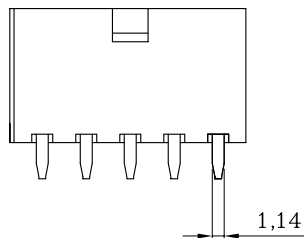
NOTES:

- MATERIAL:
BASE: NYLON66 94V-0/94V-2, WHITE (NATURAL COLOR)
CONTACT PIN: BRASS
- MATES WITH 4200F DUAL-ROW SERIES PLUG HOUSING.
- DESCRIPTION OF COLOR NO.:
LEGEND: 4201PXX0XX-X (-X: COLOR CODE)
B=BLACK, C=COCONUT BROWN, E=BLUE, H=GRAY,
I=BRICK RED, M=GREEN, R=RED, W=BROWN
- INFORMATION IN THIS DRAWING IS NOT CONSIDERED AS FINAL.

DESCRIPTION OF PLATING NO.:	
T= TIN-PLATED (T/P)	1= GOLD FLASH-PLATED
V= MATTE TIN-PLATED	



ISOMETRIC VIEW



ASSEMBLY LAYOUT



Sales Drawing

MATERIAL: SEE NOTES			
FINISH(COLOR): SEE NOTES			
W1	NEW RELEASE	31-DEC-14'	ANGULAR ±3°
REV.	REVISION RECORD	DATE	

LANDWIN 聯盈電子股份有限公司 LANDWIN ELECTRONIC CORP.					
GENERAL TOLERANCE:	PROJECTION	SCALE	UNIT	SHEET NO.	REV
	⊕	FREE	MM	1 / 1	W1
	DRAWN	R.G.	DRAW NO.		
	CHECKED	J.L.Lin	(CQ) 4201PXX0XX		
	APPD	H.Y.Lin	TITLE:		
			4.20 PITCH DUAL-ROW S/T HEADER (TYPE-0)		