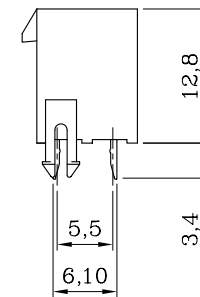
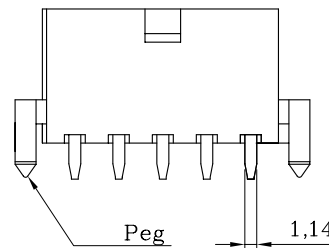
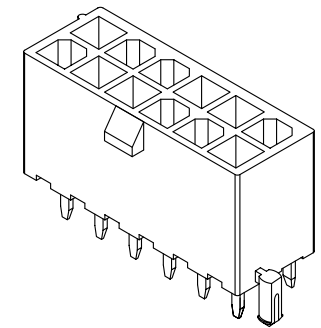
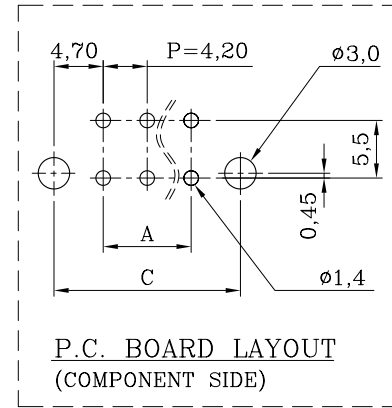
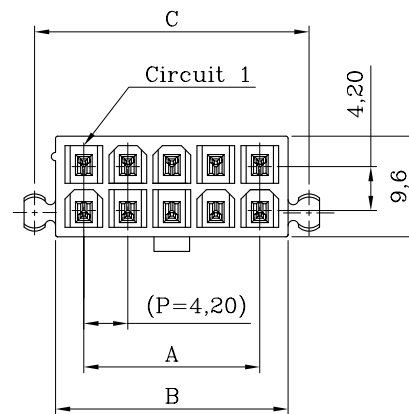
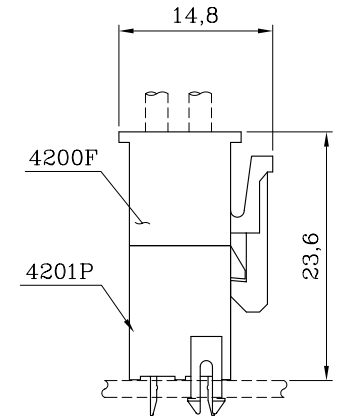
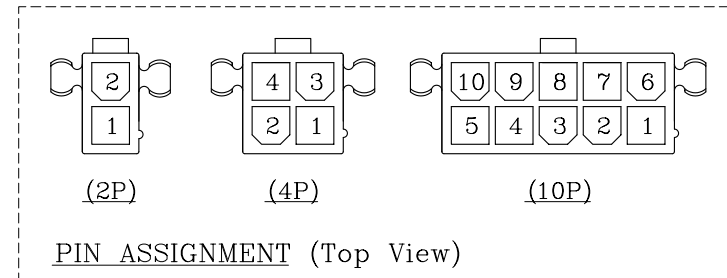
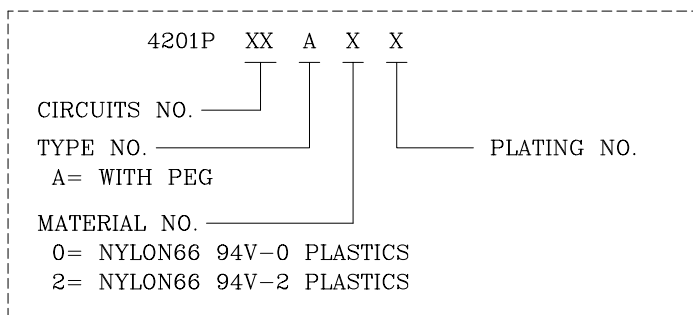


ORDER INFORMATION AND DIMENSION:

Circuits	Part No.		Dimension		
	NYLON66 UL94V-0	NYLON66 UL94V-2	A	B	C
2	4201P02 A0T	4201P02 A2T	n/a	5.4	9.4
4	4201P04 A0T	4201P04 A2T	4.2	9.6	13.6
6	4201P06 A0T	4201P06 A2T	8.4	13.8	17.8
8	4201P08 A0T	4201P08 A2T	12.6	18.0	22.0
10	4201P10 A0T	4201P10 A2T	16.8	22.2	26.2
12	4201P12 A0T	4201P12 A2T	21.0	26.4	30.4
14	4201P14 A0T	4201P14 A2T	25.2	30.6	34.6
16	4201P16 A0T	4201P16 A2T	29.4	34.8	38.8
18	4201P18 A0T	4201P18 A2T	33.6	39.0	43.0
20	4201P20 A0T	4201P20 A2T	37.8	43.2	47.2
22	4201P22 A0T	4201P22 A2T	42.0	47.4	51.4
24	4201P24 A0T	4201P24 A2T	46.2	51.6	55.6
26	4201P26 A0T	4201P26 A2T	50.4	55.8	59.8
28	4201P28 A0T	4201P28 A2T	54.6	60.0	64.0



DESCRIPTION OF ORDER NO.:



NOTES:

- MATERIAL:
BASE: NYLON66 94V-0/94V-2, WHITE (NATURAL COLOR)
CONTACT PIN: BRASS
- MATES WITH 4200F DUAL-ROW SERIES PLUG HOUSING.
- DESCRIPTION OF COLOR NO.:
LEGEND: 4201PXXAXX-X (-X: COLOR CODE)
B=BLACK, C=COCONUT BROWN, E=BLUE, H=GRAY,
I=BRICK RED, M=GREEN, R=RED, W=BROWN
- INFORMATION IN THIS DRAWING IS NOT CONSIDERED AS FINAL.

DESCRIPTION OF PLATING NO.:	
T= TIN-PLATED (T/P)	1= GOLD FLASH-PLATED
V= MATTE TIN-PLATED	



Sales Drawing

MATERIAL: SEE NOTES		FINISH(COLOR): SEE NOTES	
W1	NEW RELEASE	31-DEC-14'	ANGULAR ±3°
REV.	REVISION RECORD	DATE	

LANDWIN 聯盈電子股份有限公司
LANDWIN ELECTRONIC CORP.

GENERAL TOLERANCE:	PROJECTION	SCALE	UNIT	SHEET NO.	REV
	⊕	FREE	MM	1 / 1	W1
	DRAWN	R.G.	DRAW NO.		
	CHECKED	J.L.Lin	(CQ) 4201PXXAXX		
	APPD	H.Y.Lin	TITLE:		
			4.20 PITCH DUAL-ROW S/T HEADER (TYPE-A)		