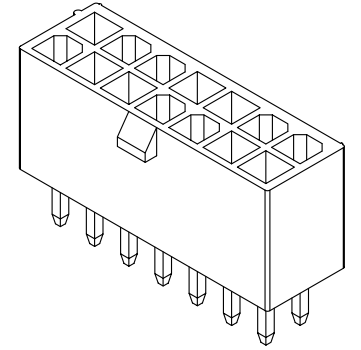
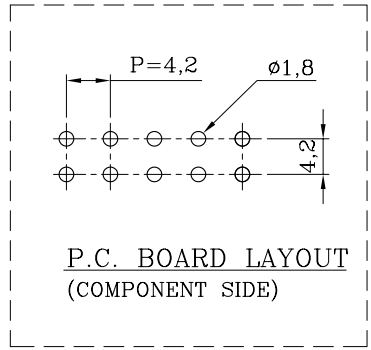
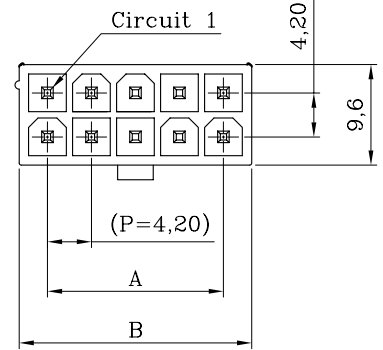
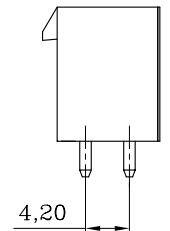
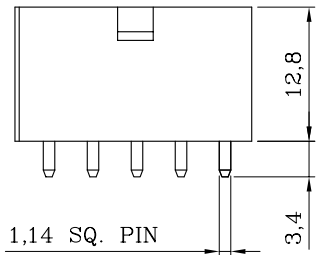


ORDER INFORMATION AND DIMENSION:

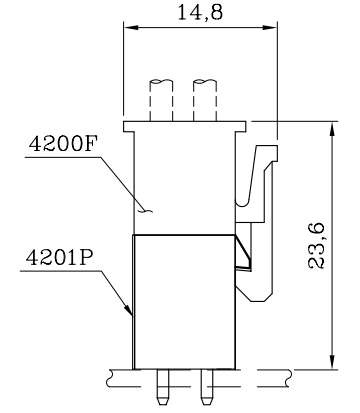
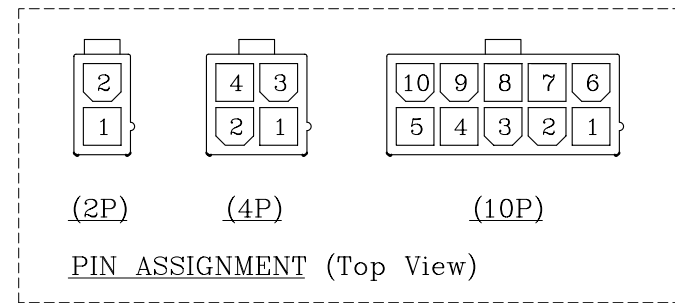
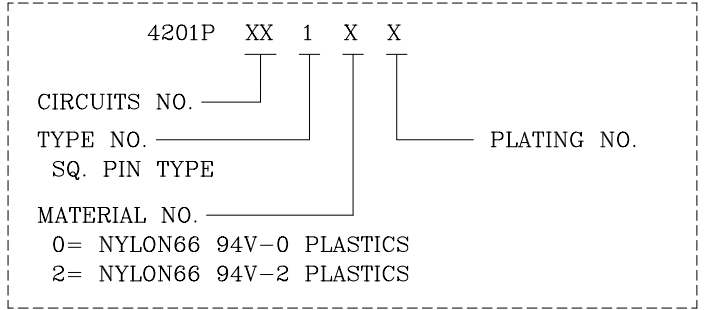
Circuits	Part No.		Dimension	
	NYLON66 UL94V-0	NYLON66 UL94V-2	A	B
2	4201P02 10T	4201P02 12T	n/a	5.4
4	4201P04 10T	4201P04 12T	4.2	9.6
6	4201P06 10T	4201P06 12T	8.4	13.8
8	4201P08 10T	4201P08 12T	12.6	18.0
10	4201P10 10T	4201P10 12T	16.8	22.2
12	4201P12 10T	4201P12 12T	21.0	26.4
14	4201P14 10T	4201P14 12T	25.2	30.6
16	4201P16 10T	4201P16 12T	29.4	34.8
18	4201P18 10T	4201P18 12T	33.6	39.0
20	4201P20 10T	4201P20 12T	37.8	43.2
22	4201P22 10T	4201P22 12T	42.0	47.4
24	4201P24 10T	4201P24 12T	46.2	51.6



ISOMETRIC VIEW



DESCRIPTION OF ORDER NO.:



ASSEMBLY LAYOUT

NOTES:

- MATERIAL:
BASE: NYLON66 94V-0/94V-2, WHITE (NATURAL COLOR)
CONTACT PIN: BRASS
- MATES WITH 4200F DUAL-ROW SERIES PLUG HOUSING.
- DESCRIPTION OF COLOR NO.:
LEGEND: 4201PXX1XX-X (-X: COLOR CODE)
B=BLACK, C=COCONUT BROWN, E=BLUE, H=GRAY,
I=BRICK RED, M=GREEN, R=RED, W=BROWN
- INFORMATION IN THIS DRAWING IS NOT CONSIDERED AS FINAL.

DESCRIPTION OF PLATING NO.:	
T= TIN-PLATED (T/P)	1= GOLD FLASH-PLATED
V= MATTE TIN-PLATED	



Sales Drawing

MATERIAL: SEE NOTES		FINISH(COLOR): SEE NOTES	
W1	NEW RELEASE	31-DEC-14'	ANGULAR ±3°
REV.	REVISION RECORD	DATE	

LANDWIN 聯盈電子股份有限公司
LANDWIN ELECTRONIC CORP.

GENERAL TOLERANCE:	PROJECTION	SCALE	UNIT	SHEET NO.	REV
	⊕	FREE	MM	1 / 1	W1
DRAWN R.G.			DRAW NO.		
CHECKED J.L.Lin			(CQ) 4201PXX1XX		
APPD H.Y.Lin			TITLE:		
DATE 31-DEC-14'			4.20 PITCH DUAL-ROW S/T HEADER (TYPE-1)		