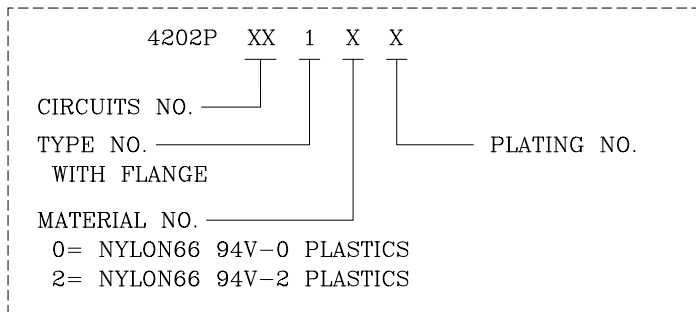


ORDER INFORMATION AND DIMENSION:

Circuits	Part No.		Dimension		
	NYLON66 UL94V-0	NYLON66 UL94V-2	A	B	C
2	4202P02 10T	4202P02 12T	n/a	5.4	15.4
4	4202P04 10T	4202P04 12T	4.2	9.6	19.6
6	4202P06 10T	4202P06 12T	8.4	13.8	23.8
8	4202P08 10T	4202P08 12T	12.6	18.0	28.0
10	4202P10 10T	4202P10 12T	16.8	22.2	32.2
12	4202P12 10T	4202P12 12T	21.0	26.4	36.4
14	4202P14 10T	4202P14 12T	25.2	30.6	40.6
16	4202P16 10T	4202P16 12T	29.4	34.8	44.8
18	4202P18 10T	4202P18 12T	33.6	39.0	49.0
20	4202P20 10T	4202P20 12T	37.8	43.2	53.2
22	4202P22 10T	4202P22 12T	42.0	47.4	57.4
24	4202P24 10T	4202P24 12T	46.2	51.6	61.6

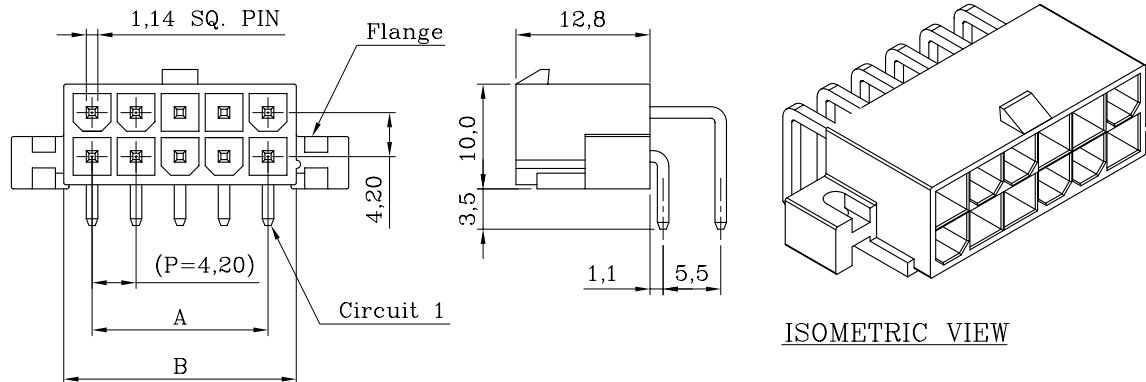
DESCRIPTION OF ORDER NO.:



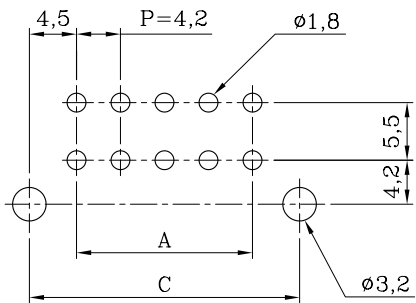
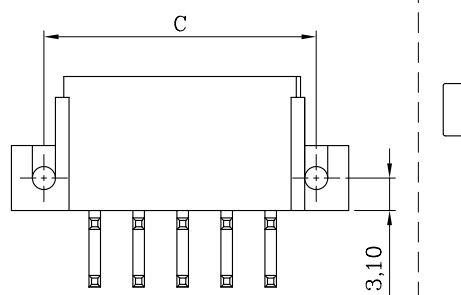
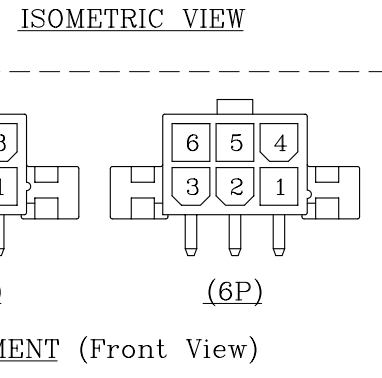
NOTES:

- MATERIAL:
BASE: NYLON66 94V-0/94V-2, WHITE (NATURAL COLOR)
CONTACT PIN: BRASS
- MATES WITH 4200F DUAL-ROW SERIES PLUG HOUSING.
- INFORMATION IN THIS DRAWING IS NOT CONSIDERED AS FINAL.

DESCRIPTION OF PLATING NO.:	
T= TIN-PLATED (T/P)	1= GOLD FLASH-PLATED
V= MATTE TIN-PLATED	

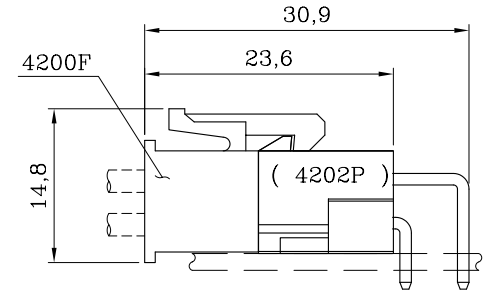


ISOMETRIC VIEW



P.C. BOARD LAYOUT (COMPONENT SIDE)

MATERIAL: SEE NOTES		FINISH(COLOR): SEE NOTES	
W1	NEW RELEASE	31-DEC-14'	ANGULAR ±3°
REV.	REVISION RECORD	DATE	



ASSEMBLY LAYOUT

		Sales Drawing			
聯盈電子股份有限公司 LANDWIN ELECTRONIC CORP.					
GENERAL TOLERANCE:	PROJECTION	SCALE	UNIT	SHEET NO.	REV
		FREE	MM	1 / 1	W1
	DRAWN	R.G.	DRAW NO.		
	CHECKED	J.L.Lin	(CQ) 4202PXX1XX		
	APPD	H.Y.Lin	TITLE:		
	W1	NEW RELEASE	31-DEC-14'	ANGULAR ±3°	DATE 31-DEC-14'
	REV.	REVISION RECORD	DATE		
					4.20 PITCH DUAL-ROW R/A HEADER (TYPE-1)