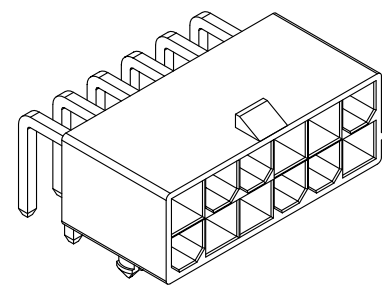
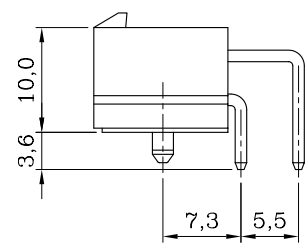
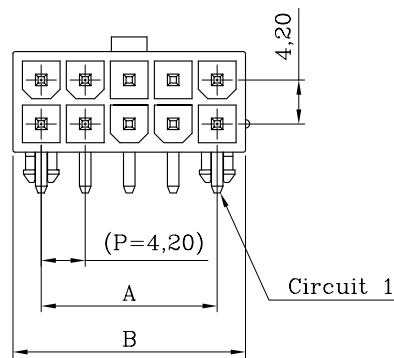


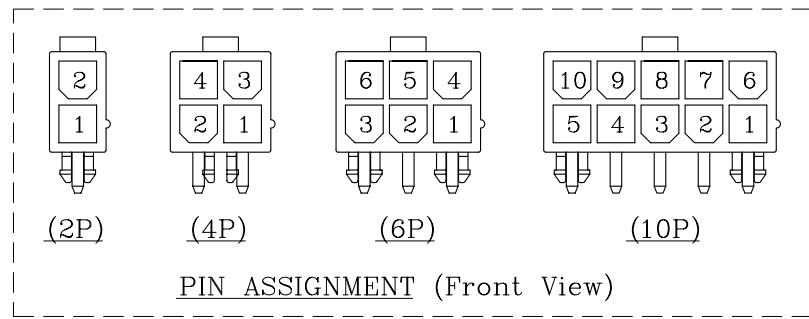
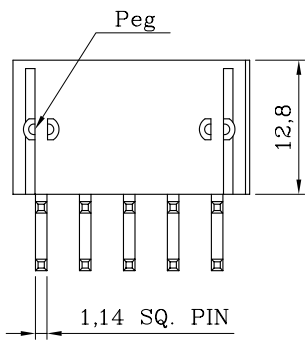
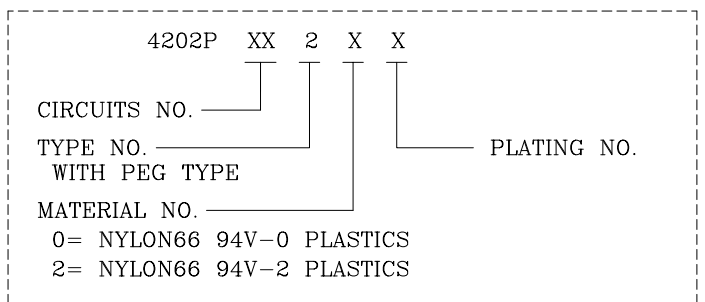
ORDER INFORMATION AND DIMENSION:

Circuits	Part No. (NYLON 66 94V-0)		Dimension		
	WHITE COLOR	BLACK COLOR	A	B	C
2	4202P0220T	4202P0220T-B	n/a	5.4	15.4
4	4202P0420T	4202P0420T-B	4.2	9.6	19.6
6	4202P0620T	4202P0620T-B	8.4	13.8	23.8
8	4202P0820T	4202P0820T-B	12.6	18.0	28.0
10	4202P1020T	4202P1020T-B	16.8	22.2	32.2
12	4202P1220T	4202P1220T-B	21.0	26.4	36.4
14	4202P1420T	4202P1420T-B	25.2	30.6	40.6
16	4202P1620T	4202P1620T-B	29.4	34.8	44.8
18	4202P1820T	4202P1820T-B	33.6	39.0	49.0
20	4202P2020T	4202P2020T-B	37.8	43.2	53.2
22	4202P2220T	4202P2220T-B	42.0	47.4	57.4
24	4202P2420T	4202P2420T-B	46.2	51.6	61.6

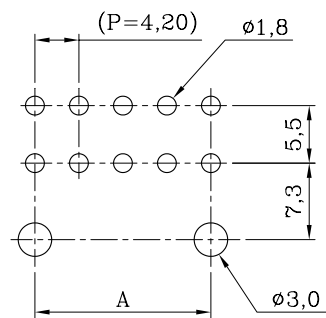


ISOMETRIC VIEW

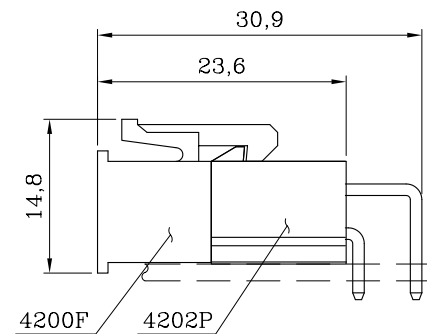
DESCRIPTION OF ORDER NO.:



PIN ASSIGNMENT (Front View)



P.C. BOARD LAYOUT (COMPONENT SIDE)



ASSEMBLY LAYOUT

NOTES:

- MATERIAL:
BASE: NYLON66 94V-0/94V-2, WHITE (NATURAL COLOR)
CONTACT PIN: BRASS
- MATES WITH 4200F DUAL-ROW SERIES PLUG HOUSING.
- DESCRIPTION OF COLOR NO.:
LEGEND: 4202PXX2XX-X (-X: COLOR CODE)
B=BLACK, C=COCONUT BROWN, E=BLUE, H=GRAY,
I=BRICK RED, M=GREEN, R=RED, W=BROWN
- INFORMATION IN THIS DRAWING IS NOT CONSIDERED AS FINAL.

DESCRIPTION OF PLATING NO.:	
T= TIN-PLATED (T/P)	1= GOLD FLASH-PLATED
V= MATTE TIN-PLATED	



MATERIAL: SEE NOTES		FINISH(COLOR): SEE NOTES	
W1	NEW RELEASE	31-DEC-14'	ANGULAR ±3°
REV.	REVISION RECORD	DATE	

LANDWIN 聯盈電子股份有限公司
LANDWIN ELECTRONIC CORP.

GENERAL TOLERANCE:	PROJECTION	SCALE	UNIT	SHEET NO.	REV
	⊕	FREE	MM	1 / 1	W1
	DRAWN	R.G.	DRAW NO.		
	CHECKED	J.L.Lin	(CQ) 4202PXX2XX		
	APPD	H.Y.Lin	TITLE:		
	W1	NEW RELEASE	31-DEC-14'	ANGULAR ±3°	DATE 31-DEC-14'
	REV.	REVISION RECORD	DATE		

Sales Drawing