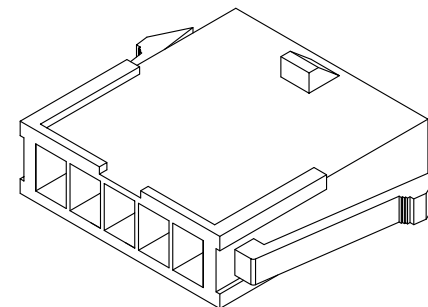
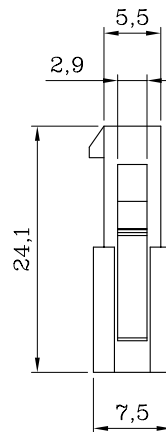
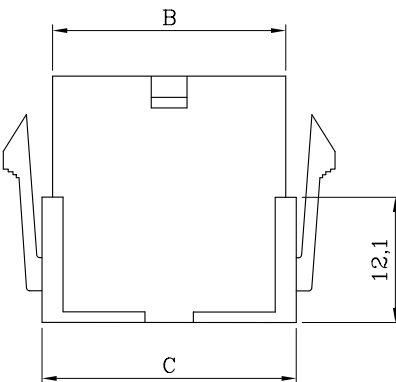
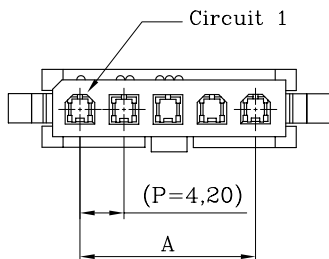
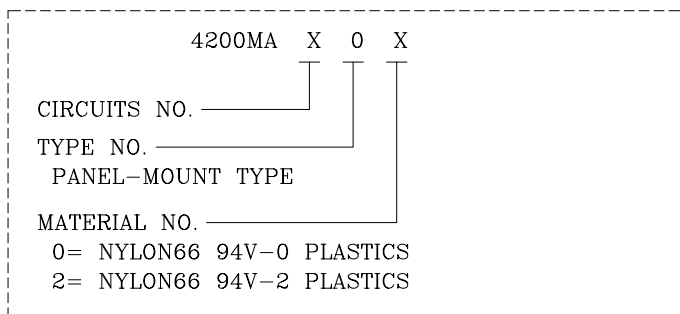


ORDER INFORMATION AND DIMENSION:

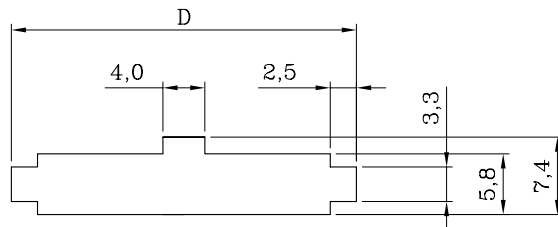
Circuits	Part No.		Dimension (0.8-2.0 Thick Panel)		
	NYLON66 UL94V-0	NYLON66 UL94V-2	A	B	C
2	4200MA200	4200MA202	4.2	9.6	11.3
3	4200MA300	4200MA302	8.4	13.8	15.5
4	4200MA400	4200MA402	12.6	18.0	19.7
5	4200MA500	4200MA502	16.8	22.2	23.9

Circuits	Dimension
	D
2	15.0
3	19.2
4	23.4
5	27.6

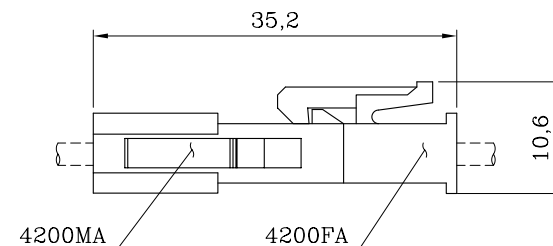
DESCRIPTION OF ORDER NO.:



ISOMETRIC VIEW



Panel Cut-Off Dimension



ASSEMBLY VIEW

NOTES:

- MATERIAL:
BASE: NYLON66 94V-0/94V-2, WHITE (NATURAL COLOR)
- USE WITH 4203TM SERIES CRIMP TERMINAL.
- MATES WITH 4200FA SINGLE-ROW SERIES PLUG HOUSING.
- DESCRIPTION OF COLOR NO.:
LEGEND: 4200MAXOX-X (-X: COLOR CODE)
B=BLACK, E=BLUE, H=GRAY,
I=BRICK RED, M=GREEN, R=RED, W=BROWN
- INFORMATION IN THIS DRAWING IS NOT CONSIDERED AS FINAL.



Sales Drawing

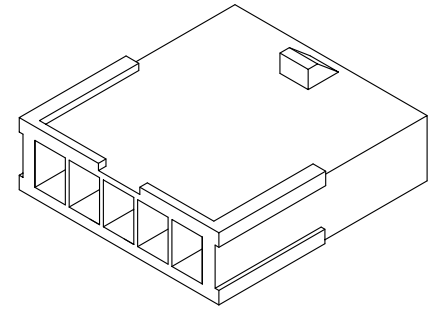
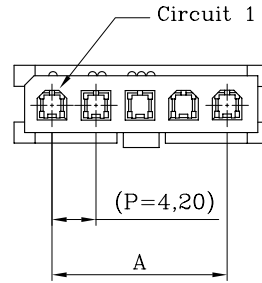


聯盈電子股份有限公司
LANDWIN ELECTRONIC CORP.

GENERAL TOLERANCE:	PROJECTION FREE	SCALE FREE	UNIT MM	SHEET NO. 1 / 2	REV W1
	DRAWN R.G.	DRAW NO.			
	CHECKED J.L.Lin	(AQ) 4200MAXXX			
	APPD H.Y.Lin	TITLE:			
W1	NEW RELEASE	31-DEC-14'	ANGULAR ±3°	DATE 31-DEC-14'	4.20 PITCH SINGLE-ROW RECEPTACLE HOUSING
REV.	REVISION RECORD	DATE			

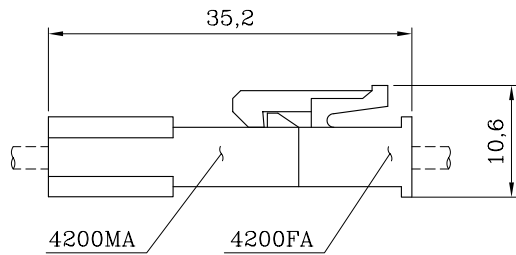
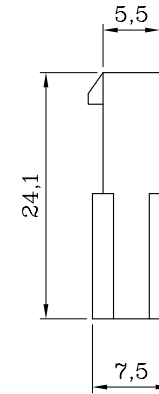
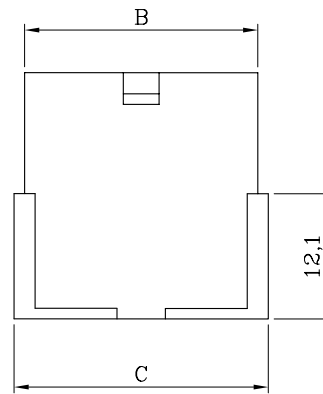
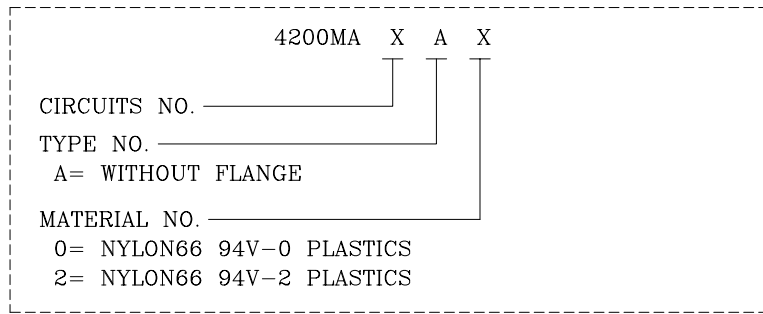
ORDER INFORMATION AND DIMENSION:

Circuits	Part No.		Dimension		
	NYLON66 UL94V-0	NYLON66 UL94V-2	A	B	C
2	4200MA2A0	4200MA2A2	4.2	9.6	11.3
3	4200MA3A0	4200MA3A2	8.4	13.8	15.5
4	4200MA4A0	4200MA4A2	12.6	18.0	19.7
5	4200MA5A0	4200MA5A2	16.8	22.2	23.9



ISOMETRIC VIEW

DESCRIPTION OF ORDER NO.:



ASSEMBLY VIEW

NOTES:

- MATERIAL:
BASE: NYLON66 94V-0/94V-2, WHITE (NATURAL COLOR)
- USE WITH 4203TM SERIES CRIMP TERMINAL.
- MATES WITH 4200FA SINGLE-ROW SERIES PLUG HOUSING.
- DESCRIPTION OF COLOR NO.:
LEGEND: 4200MAXAX-X (-X: COLOR CODE)
B=BLACK, E=BLUE, H=GRAY,
I=BRICK RED, M=GREEN, R=RED, W=BROWN
- INFORMATION IN THIS DRAWING IS NOT CONSIDERED AS FINAL.



Sales Drawing

MATERIAL: SEE NOTES		FINISH(COLOR): SEE NOTES	
W1	NEW RELEASE	31-DEC-14'	ANGULAR ±3°
REV.	REVISION RECORD	DATE	

LANDWIN 聯盈電子股份有限公司		LANDWIN ELECTRONIC CORP.	
GENERAL TOLERANCE:	PROJECTION FREE	SCALE FREE	UNIT MM
	DRAWN R.G.	SHEET NO. 2 / 2	
	CHECKED J.L.Lin	REV W1	
	APPD H.Y.Lin	DRAW NO. (AQ) 4200MAXXX	
		TITLE: 4.20 PITCH SINGLE-ROW RECEPTACLE HOUSING	