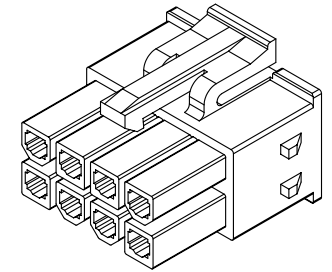
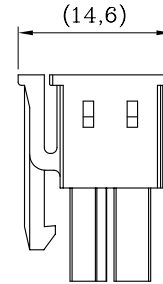
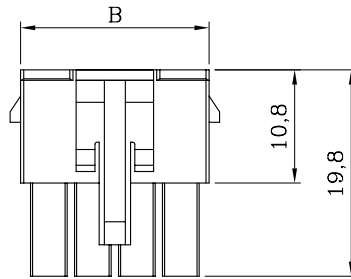
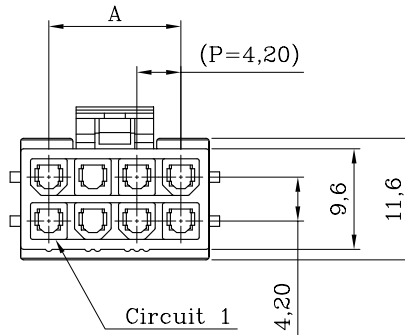


ORDER INFORMATION AND DIMENSION:

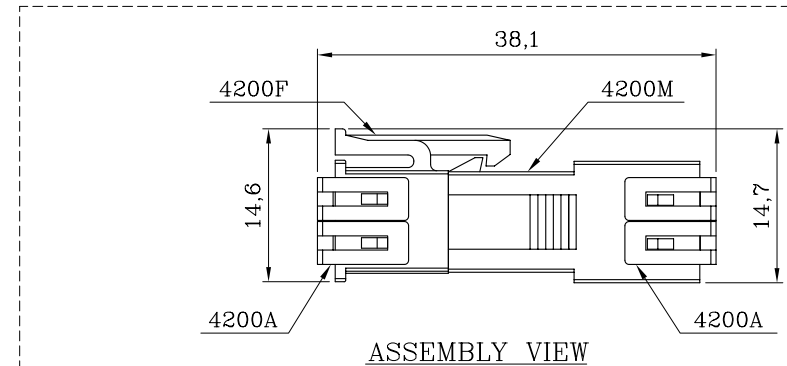
Circuits	Part No.	
	(Natural color)	(Black color)
2	4200F02 01-SA	4200F02 01-BA
4	4200F04 01-SA	4200F04 01-BA
6	4200F06 01-SA	4200F06 01-BA
8	4200F08 01-SA	4200F08 01-BA
10	4200F10 01-SA	4200F10 01-BA
12	4200F12 01-SA	4200F12 01-BA



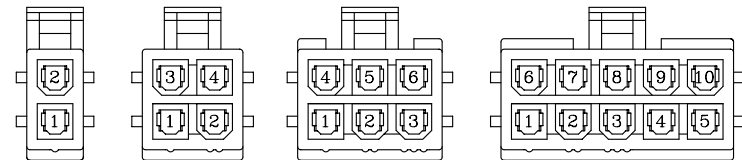
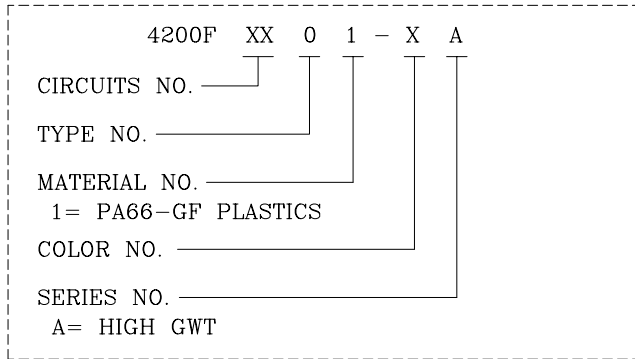
Circuits	Dimension	
	A	B
2	n/a	5.40
4	4.20	9.60
6	8.40	13.80
8	12.60	18.00
10	16.80	22.20
12	21.00	26.40



ISOMETRIC VIEW



DESCRIPTION OF ORDER NO.:



(2P) (4P) (6P) (10P)  
PIN ASSIGNMENT (Bottom View)

NOTES:

- MATERIAL:  
BASE: PA66-GF 94V-0
- USE WITH 4203TF SERIES CRIMP TERMINAL.
- MATES WITH 4201P, 4202P DUAL-ROW SERIES HEADER.
- MATES WITH 4200MXX01-XA SERIES RECEPTACLE HOUSING.
- DESCRIPTION OF COLOR NO.:  
LEGEND: 4200FXX01-XA (-X: COLOR CODE)  
B=BLACK, E=BLUE, H=GRAY,  
R=RED, S=LIGHT IVORY/NATURAL COLOR
- REPLACEMENT OF HALOGEN-FREE PRODUCT:  
LEGEND: 4200FXX01-XANH (NH: HALOGEN-FREE)  
LEGEND: 4200FXX01-BANH (B=BLACK COLOR)
- INFORMATION IN THIS DRAWING IS NOT CONSIDERED AS FINAL.



High GWT Rated

Sales Drawing

MATERIAL: SEE NOTES	
FINISH(COLOR): SEE NOTES	
W1	NEW RELEASE
REV.	REVISION RECORD

**LANDWIN** 聯盈電子股份有限公司  
LANDWIN ELECTRONIC CORP.

GENERAL TOLERANCE:	PROJECTION	SCALE	UNIT	SHEET NO.	REV
	⊕	FREE	MM	1 / 1	W1
	DRAWN	R.G.	DRAW NO.		
	CHECKED	J.L.Lin	(AQ) 4200FXX01-XA		
	APPD	H.Y.Lin	TITLE:		
	W1	NEW RELEASE	31-DEC-14'	ANGULAR ±3°	DATE 31-DEC-14'
	REV.	REVISION RECORD	DATE		