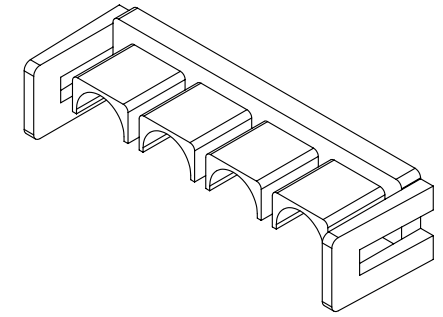
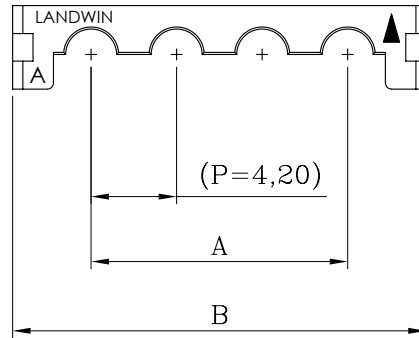


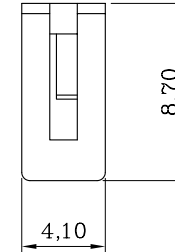
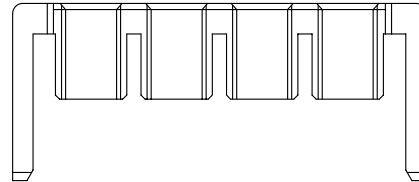
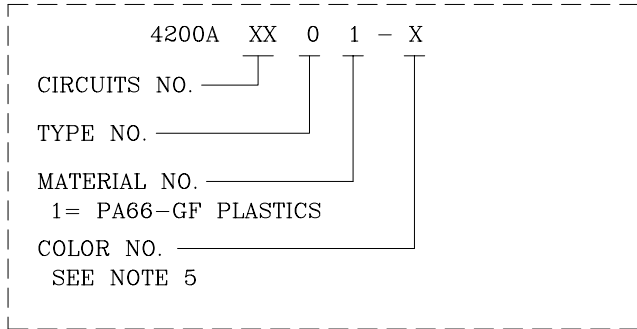
ORDER INFORMATION AND DIMENSION:

| Circuits | Part No. (Red Color) | Dimension | |
|----------|-------------------------|-----------|------|
| | | A | B |
| 1 | 4200A0101-R | n/a | 7.7 |
| 2 | 4200A0201-R | 4.2 | 11.9 |
| 3 | 4200A0301-R | 8.4 | 16.1 |
| 4 | 4200A0401-R | 12.6 | 20.3 |
| 5 | 4200A0501-R | 16.8 | 24.5 |
| 6 | 4200A0601-R | 21.0 | 28.7 |
| 7 | 4200A0701-R | 25.2 | 32.9 |
| 8 | 4200A0801-R | 29.4 | 37.1 |
| 9 | 4200A0901-R | 33.6 | 41.3 |
| 10 | 4200A1001-R | 37.8 | 45.5 |
| 11 | 4200A1101-R | 42.0 | 49.7 |
| 12 | 4200A1201-R | 46.2 | 53.9 |



ISOMETRIC VIEW

DESCRIPTION OF ORDER NO.:



NOTES:

- MATERIAL:
BASE: PA66-GF 94V-0
- USE WITH 4203TF SERIES CRIMP TERMINAL.
- MATES WITH 4200F DUAL-ROW SERIES-A PLUG HOUSING.
- MATES WITH 4200M DUAL-ROW SERIES-A RECEPTACLE HOUSING.
- DESCRIPTION OF COLOR NO.:
LEGEND: 4200AXX01-X (-X: COLOR CODE)
B=BLACK, E=BLUE, H=GRAY,
R=RED, S=LIGHT IVORY/NATURAL COLOR
- REPLACEMENT OF HALOGEN-FREE PRODUCT:
LEGEND: 4200AXX01-XNH (NH: HALOGEN-FREE)
LEGEND: 4200AXX01-RNH (R=RED COLOR)
- INFORMATION IN THIS DRAWING IS NOT CONSIDERED AS FINAL.



MATERIAL: SEE NOTES

FINISH(COLOR): SEE NOTES

High GWT Rated

Sales Drawing

LANDWIN 聯盈電子股份有限公司
LANDWIN ELECTRONIC CORP.

| | | | | | |
|--------------------|-----------------|------------|------------------|-----------------|---|
| GENERAL TOLERANCE: | PROJECTION | SCALE | UNIT | SHEET NO. | REV |
| | ⊕ | FREE | MM | 1 / 1 | W1 |
| | DRAWN | R.G. | DRAW NO. | | |
| | CHECKED | J.L.Lin | (AQ) 4200AXX01-X | | |
| | APPD | H.Y.Lin | TITLE: | | |
| W1 | NEW RELEASE | 31-DEC-14' | ANGULAR ±3° | DATE 31-DEC-14' | 4.20 PITCH SINGLE-ROW CABLE RETAINER (T.P.A.) |
| REV. | REVISION RECORD | DATE | | | |