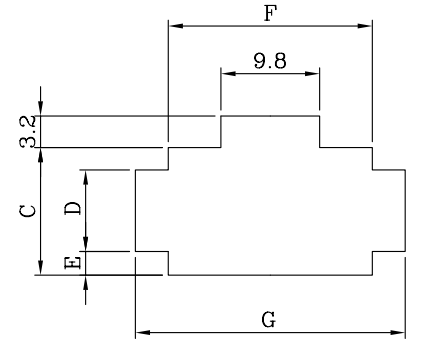
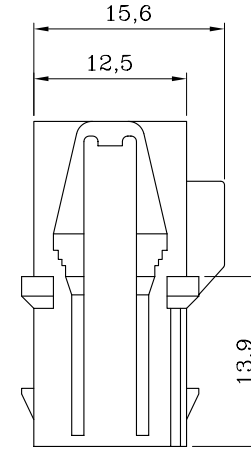
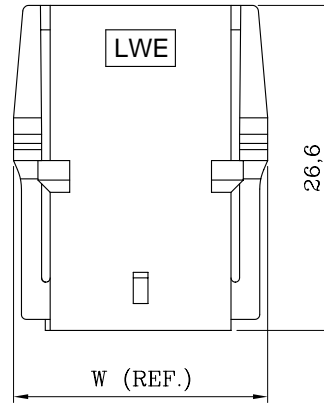
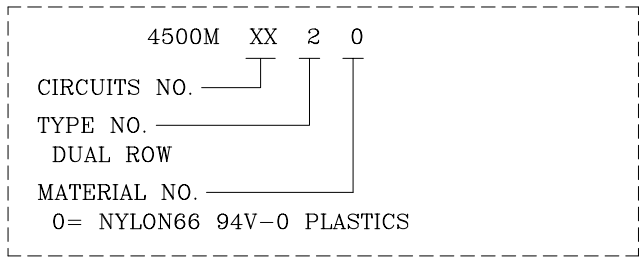


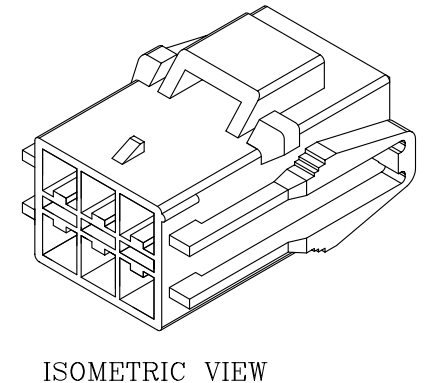
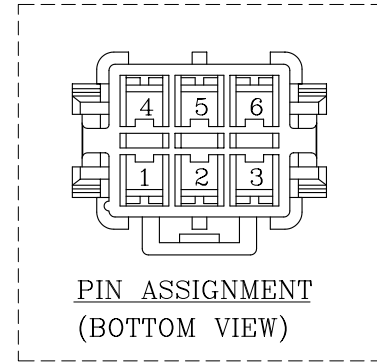
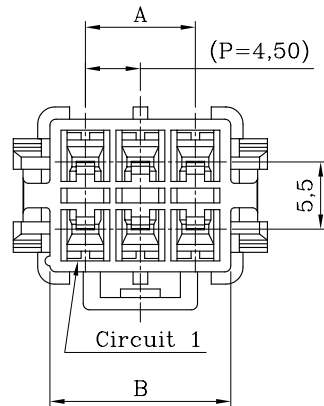
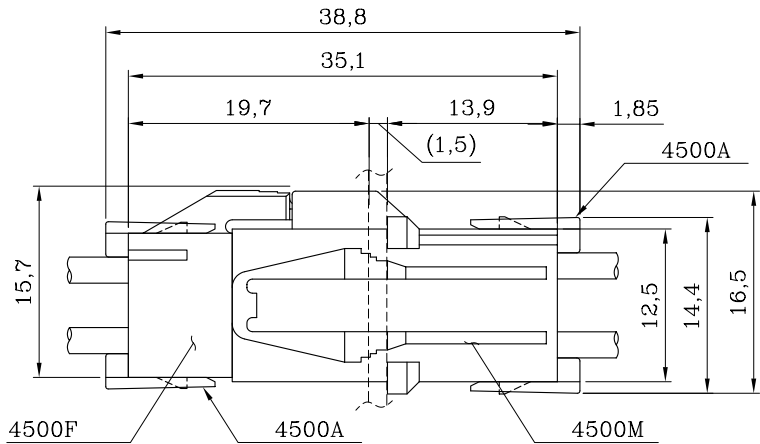
ORDER INFORMATION AND DIMENSION:

Circuits	Part No. (Panel Mount) (White Color)	Dimension			Panel Cut-Off Dimension (Thickness 1.4 to 2.0, Note 6)				
		A	B	W	C	D	E	F	G
4	4500M0420	4.50	10.3	(24.3)	12.9	8.3	2.3	10.7	16.8
6	4500M0620	9.00	14.8	(28.8)	12.9	8.3	2.3	15.3	21.3

DESCRIPTION OF ORDER NO.:



Recomm. Panel Cut-Off Dimension
(Panel thickness: 1.4 to 2.0 mm)



NOTES:

- MATERIAL:
BASE: NYLON66 94V-0, WHITE COLOR (NATURAL)
- USE WITH 4500TM SERIES CRIMP TERMINAL.
- USE WITH 4500A SERIES CABLE RATAINER.
- MATES WITH 4500F TYPE-2 SERIES PLUG HOUSING.
- DESCRIPTION OF COLOR NO.:
LEGEND: 4500MXX20-X (-X: COLOR NO.)
B=BLACK, E=BLUE, H=GRAY,
I=BRICK RED, R=RED, W=BROWN
- FOR SMALLER THICKNESS APPLICATION, PLEASE CONTACT SALES.
- INFORMATION IN THIS DRAWING IS NOT CONSIDERED AS FINAL.



Sales Drawing

LANDWIN 聯盈電子股份有限公司
LANDWIN ELECTRONIC CORP.

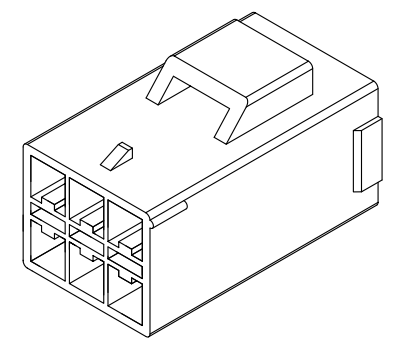
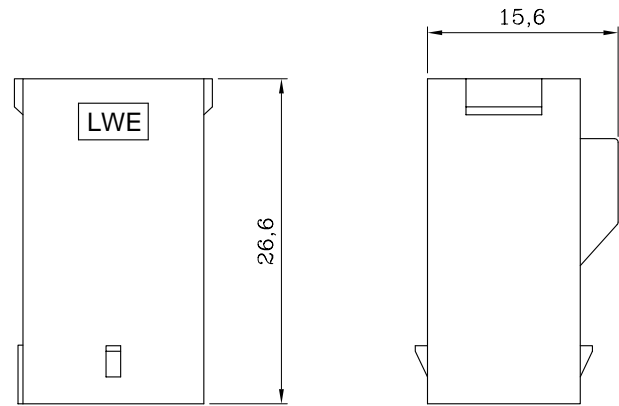
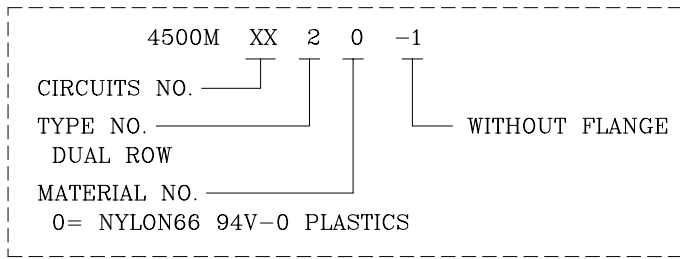
MATERIAL: SEE NOTES		FINISH(COLOR): SEE NOTES	
W1	NEW RELEASE	31-DEC-14'	ANGULAR ±3°
REV.	REVISION RECORD	DATE	

GENERAL TOLERANCE:	PROJECTION	SCALE	UNIT	SHEET NO.	REV
	⊕	FREE	MM	1 / 2	W1
	DRAWN	R.G.	DRAW NO.		
	CHECKED	J.L.Lin	(AQ) 4500MXX20(-1)		
	APPD	H.Y.Lin	TITLE:		
			4.50 PITCH DUAL-ROW RECEPTACLE HOUSING		

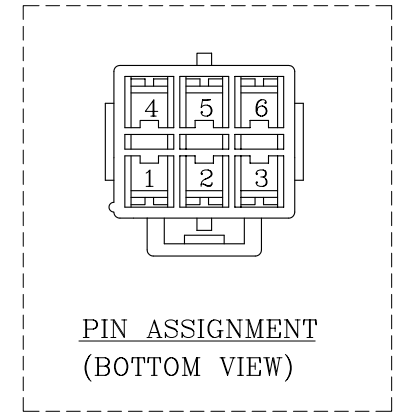
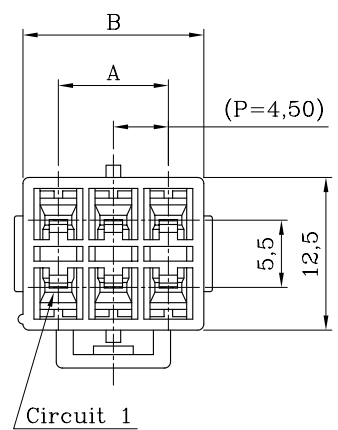
ORDER INFORMATION AND DIMENSION:

Circuits	Part No. (Without Flange, White color)	Dimension	
		A	B
4	4500M0420-1	4.50	10.3
6	4500M0620-1	9.00	14.8

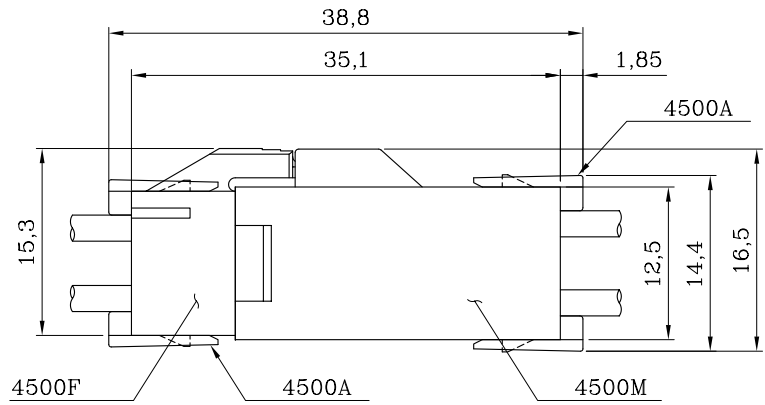
DESCRIPTION OF ORDER NO.:



ISOMETRIC VIEW



PIN ASSIGNMENT
(BOTTOM VIEW)



ASSEMBLY VIEW

NOTES:

- MATERIAL:
BASE: NYLON66 94V-0, WHITE COLOR (NATURAL)
- USE WITH 4500TM SERIES CRIMP TERMINAL.
- USE WITH 4500A SERIES CABLE RATAINER.
- MATES WITH 4500F TYPE-2 SERIES PLUG HOUSING.
- DESCRIPTION OF COLOR NO.:
LEGEND: 4500MXX20-X1 (-X: COLOR NO.)
B=BLACK, E=BLUE, H=GRAY,
I=BRICK RED, R=RED, W=BROWN
- INFORMATION IN THIS DRAWING IS NOT CONSIDERED AS FINAL.

		Sales Drawing			
LANDWIN 聯盈電子股份有限公司 LANDWIN ELECTRONIC CORP.					
GENERAL TOLERANCE:		PROJECTION:	SCALE: FREE	UNIT: MM	SHEET NO. 2 / 2
W1 NEW RELEASE		DATE 31-DEC-14'		DRAW NO. (AQ) 4500MXX20(-1)	
REV. REVISION RECORD		DATE		TITLE: 4.50 PITCH DUAL-ROW RECEPTACLE HOUSING	