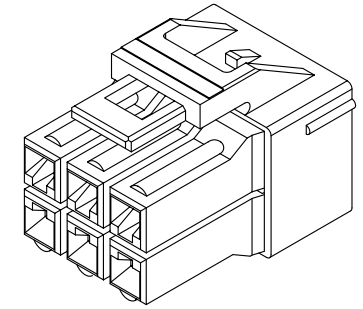
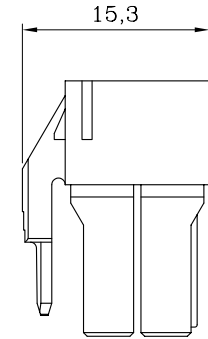
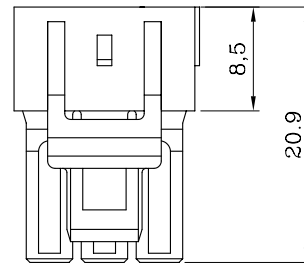
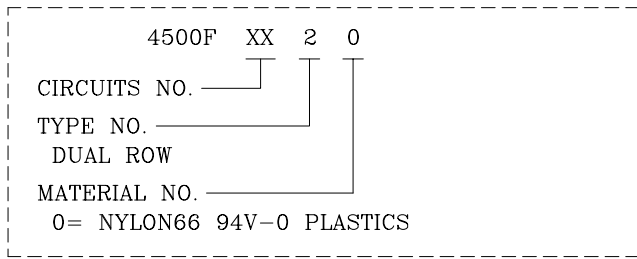


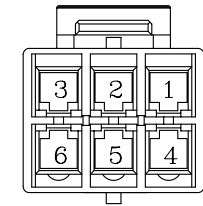
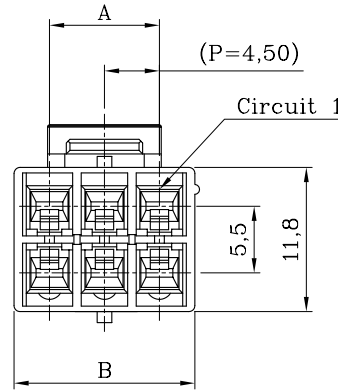
ORDER INFORMATION AND DIMENSION:

Circuits	Part No. (White Color)	Dimension	
		A	B
4	4500F0420	4.50	10.3
6	4500F0620	9.00	14.8

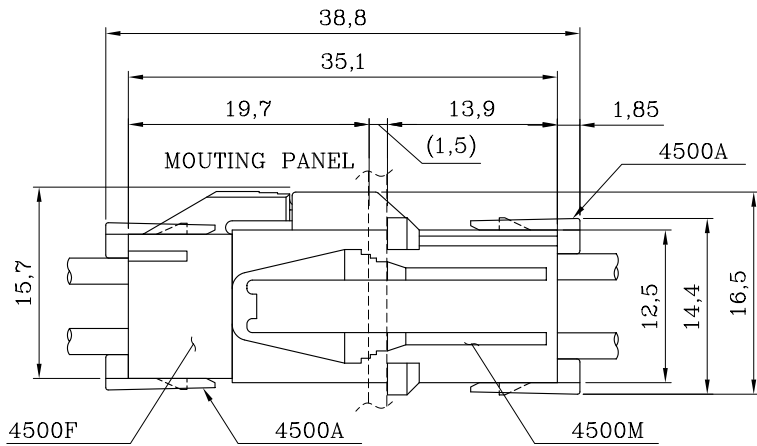
DESCRIPTION OF ORDER NO.:



ISOMETRIC VIEW



PIN ASSIGNMENT
(BOTTOM VIEW)



ASSEMBLY VIEW

NOTES:

- MATERIAL:
BASE: NYLON66 94V-0, WHITE COLOR (NATURAL)
- USE WITH 4500TF SERIES CRIMP TERMINAL.
- USE WITH 4500A SERIES CABLE RATAINER.
- MATES WITH 4500M SERIES RECEPTACLE HOUSING.
- DESCRIPTION OF COLOR NO.:
LEGEND: 4500FXX20-X (-X: COLOR NO.)
B=BLACK, E=BLUE, H=GRAY,
I=BRICK RED, R=RED, W=BROWN
- INFORMATION IN THIS DRAWING IS NOT CONSIDERED AS FINAL.



Sales Drawing



聯盈電子股份有限公司
LANDWIN ELECTRONIC CORP.

MATERIAL: SEE NOTES		FINISH(COLOR): SEE NOTES		GENERAL TOLERANCE:		PROJECTION	SCALE	UNIT	SHEET NO.	REV
				ANGULAR ±3°		⊕	FREE	MM	1 / 1	W1
				DATE		DRAWN R.G.		DRAW NO.		
				31-DEC-14'		CHECKED J.L.Lin		(AQ) 4500FXX20		
				DATE		APPD H.Y.Lin		TITLE:		
W1	NEW RELEASE	31-DEC-14'	ANGULAR ±3°	DATE	31-DEC-14'	4.50 PITCH DUAL-ROW PLUG HOUSING				
REV.	REVISION RECORD	DATE								