

12 11 10 9 8 7 6 5 4 3 2 1

A

B

C

D

E

F

A

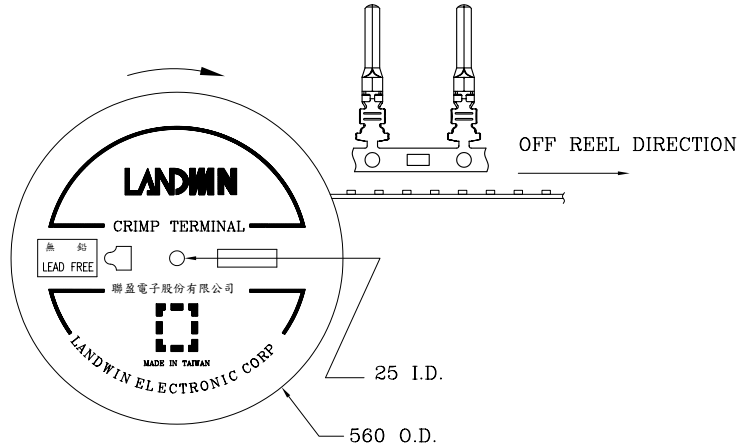
B

C

D

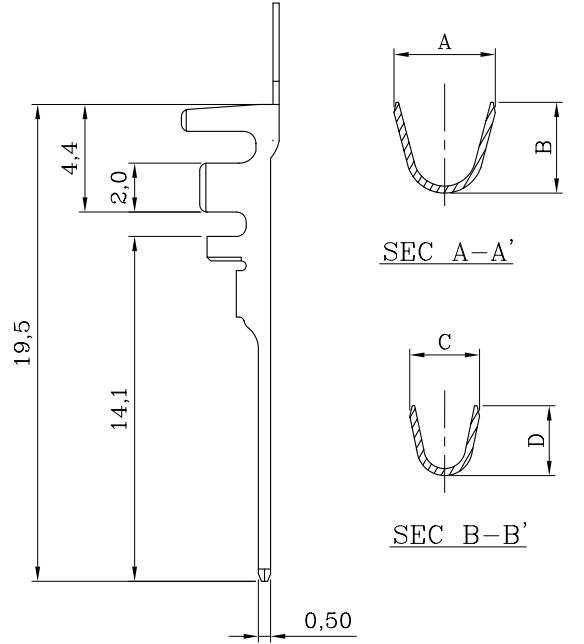
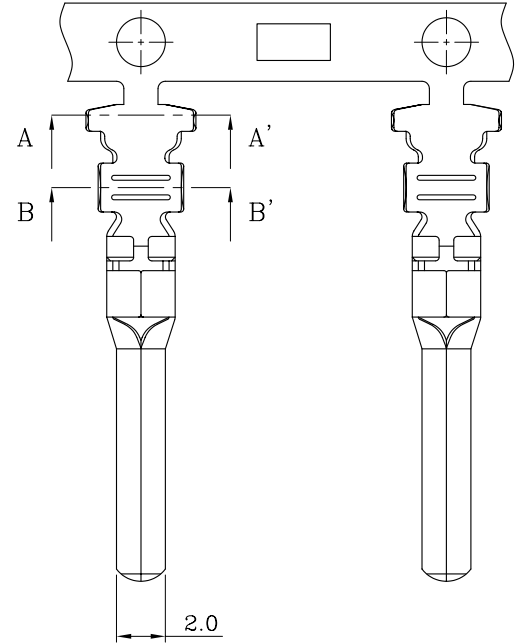
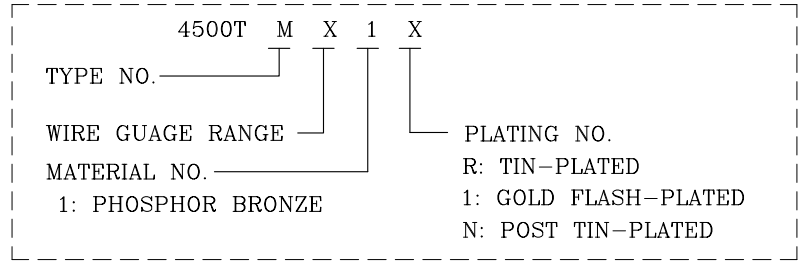
E

F



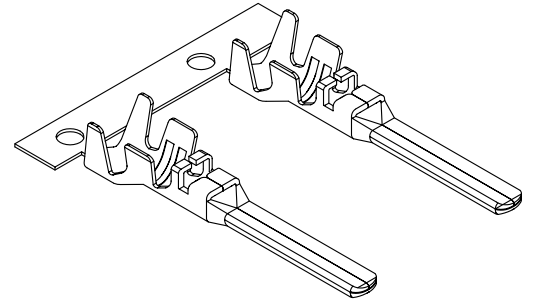
ROLL FORM PACKAGE

DESCRIPTION OF ORDER NO.:



ORDER INFORMATION AND DIMENSION:

ORDER NO.	TERMINAL TYPE	WIRE GAUGE RANGE (AWG)	INSULATION DIAMETER	Q'TY/REEL	A	B	C	D
4500TM11X	CHAIN	#20 - #26	ø2.5 MAX.	5,000 PCS	3,3	3,3	2,2	2,0
4500TM21X	CHAIN	#16 - #20	ø3.4 MAX.	5,000 PCS	4,5	4,0	3,5	2,9



ISOMETRIC VIEW

NOTES:

- MATERIAL: PHOSPHOR BRONZE
- USE WITH RECEPTACLE HOUSING:
 - <1> 4500MXX10 SERIES
 - <2> 4500MXX10-1 SERIES
 - <3> 4500MXX20 SERIES
 - <4> 4500MXX20-1 SERIES
- INFORMATION IN THIS DRAWING IS NOT CONSIDERED AS FINAL.

MATERIAL: SEE NOTES	
FINISH(COLOR): SEE NOTES	
W1	NEW RELEASE
REV.	REVISION RECORD



Sales Drawing

LANDWIN 聯益電子股份有限公司
LANDWIN ELECTRONIC CORP.

GENERAL TOLERANCE:	PROJECTION	SCALE	UNIT	SHEET NO.	REV
	⊕	FREE	MM	1 / 1	W1
	DRAWN	R.G.	DRAW NO.		
	CHECKED	J.L.Lin	(BQ) 4500TMX1X		
	APPD	H.Y.Lin	TITLE:		
ANGULAR ±3°	DATE 31-DEC-14'	CRIMP TERMINAL (4510M SERIES)			