

12 11 10 9 8 7 6 5 4 3 2 1

A

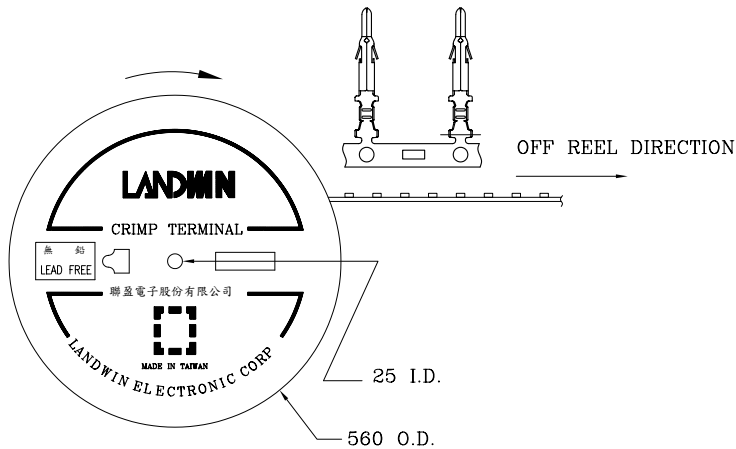
B

C

D

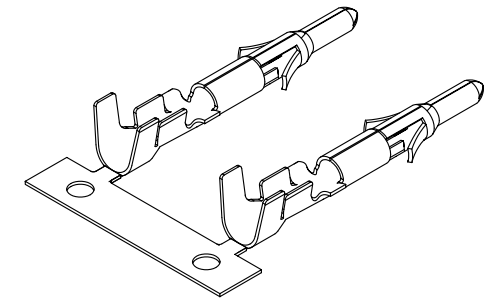
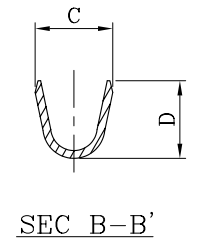
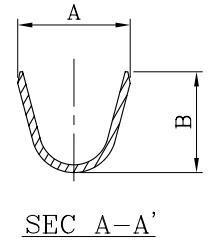
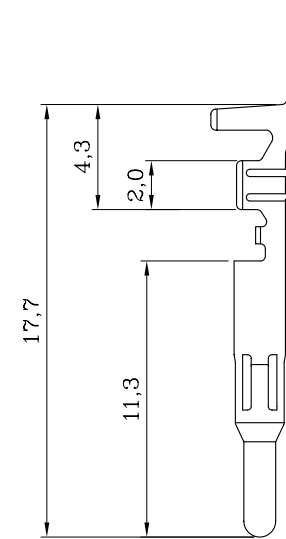
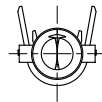
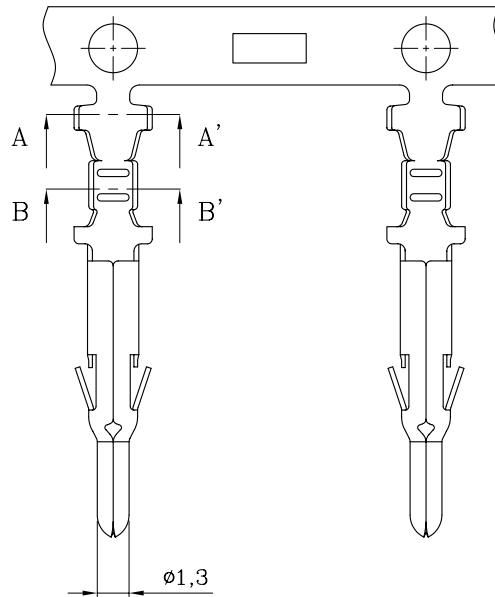
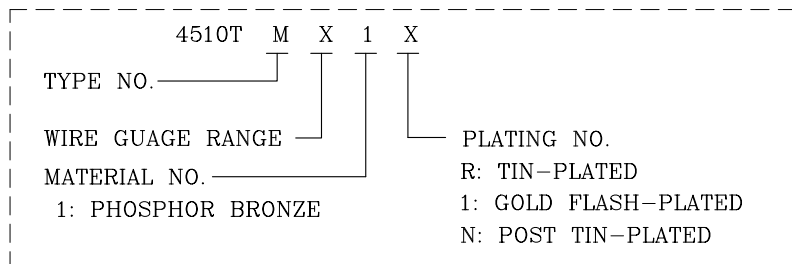
E

F



ROLL FORM PACKAGE

DESCRIPTION OF ORDER NO.:



ISOMETRIC VIEW

ORDER INFORMATION AND DIMENSION:

ORDER NO.	TERMINAL TYPE	WIRE GAUGE RANGE (AWG)	INSULATION DIAMETER	Q'TY/REEL	A	B	C	D
4510TM11X	CHAIN	#20 - #26	$\phi 2.7$ MAX.	5,000 PCS	3,2	3,3	2,0	2,0
4510TM21X	CHAIN	#16 - #20	$\phi 3.4$ MAX.	5,000 PCS	4,7	4,1	2,8	2,7

NOTES:

- MATERIAL: PHOSPHOR BRONZE
- USE WITH RECEPTACLE HOUSING:
 - <1> 4510MXX10 SERIES
 - <2> 4510MXX10-1 SERIES
 - <3> 4510MXX20 SERIES
 - <4> 4510MXX20-1 SERIES
- INFORMATION IN THIS DRAWING IS NOT CONSIDERED AS FINAL.



Sales Drawing

LANDWIN 聯益電子股份有限公司
LANDWIN ELECTRONIC CORP.

GENERAL TOLERANCE:	PROJECTION	SCALE	UNIT	SHEET NO.	REV
		FREE	MM	1 / 1	W1
	DRAWN	R.G.	DRAW NO.		
	CHECKED	J.L.Lin	(BQ) 4510TMX1X		
	APPD	H.Y.Lin	TITLE:		
W1	NEW RELEASE	31-DEC-14'	ANGULAR $\pm 3^\circ$	DATE 31-DEC-14'	CRIMP TERMINAL (4510M SERIES)
REV.	REVISION RECORD	DATE			