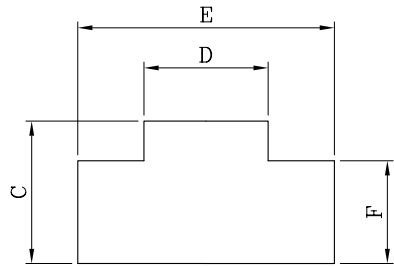
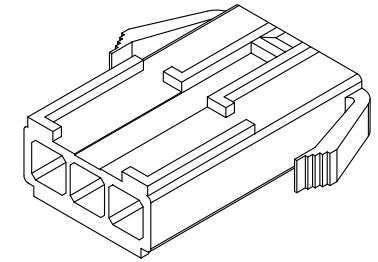
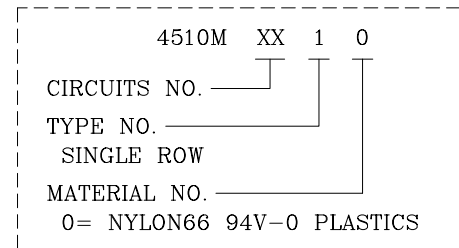


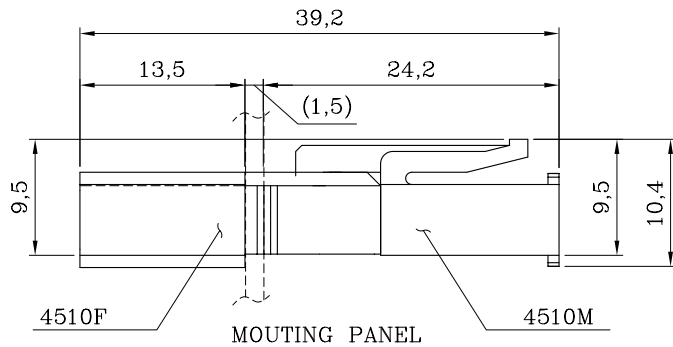
ORDER INFORMATION AND DIMENSION:

Circuits	Part No. (Panel Mount) (White Color)	Dimension			Panel Cut-Off Dimension (Thickness 0.8 to 2.0)			
		A	B	W	C	D	E	F
2	4510M0210	4.50	10.3	(19.8)	6.85	5.2	15.0	6.0
3	4510M0310	9.00	14.8	(24.3)	6.85	5.2	19.7	6.0

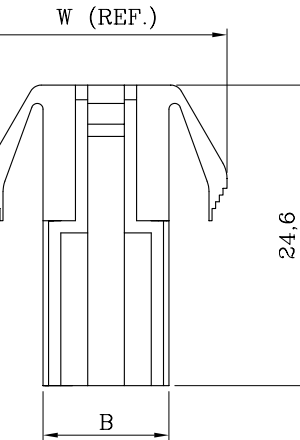
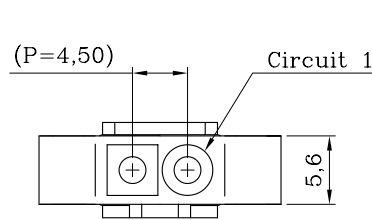
DESCRIPTION OF ORDER NO.:



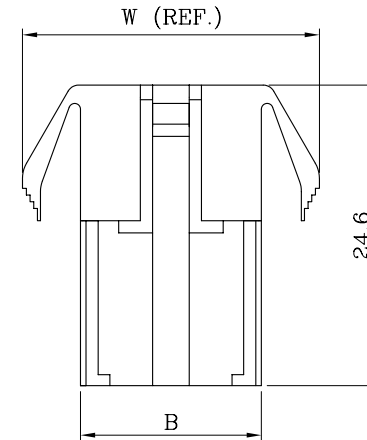
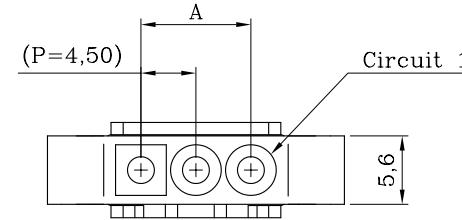
Recomm. Panel Cut-Off Dimension
(Panel thickness: 0.8 to 2.0 mm)



ASSEMBLY VIEW (3P)

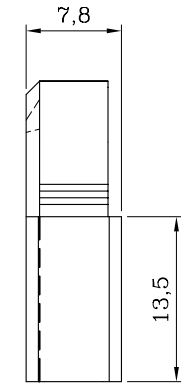


(2 Circuit)



(3 Circuit)

ISOMETRIC VIEW



(RIGHT SIDE VIEW)

NOTES:

- MATERIAL:
BASE: NYLON66 94V-0, WHITE COLOR (NATURAL)
- USE WITH 4510TM SERIES CRIMP TERMINAL.
- MATES WITH 4510F SERIES RECEPTACLE HOUSING.
- DESCRIPTION OF COLOR NO.:
LEGEND: 4510MXX10-X (-X: COLOR NO.)
B=BLACK, E=BLUE, H=GRAY,
I=BRICK RED, R=RED, W=BROWN
- INFORMATION IN THIS DRAWING IS NOT CONSIDERED AS FINAL.



Sales Drawing

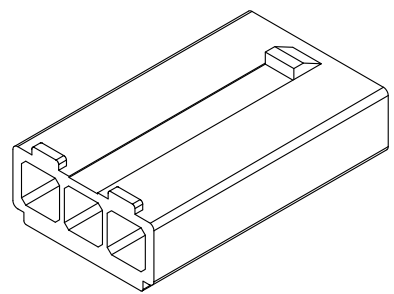
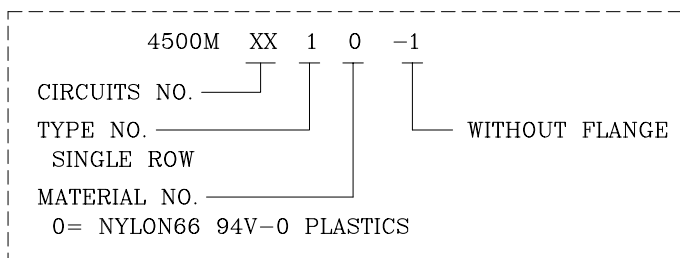
LANDWIN 聯盈電子股份有限公司
LANDWIN ELECTRONIC CORP.

MATERIAL: SEE NOTES		FINISH(COLOR): SEE NOTES		GENERAL TOLERANCE:		PROJECTION	SCALE	UNIT	SHEET NO.	REV
				ANGULAR ±3°		⊕	FREE	MM	1 / 2	W1
				DATE 31-DEC-14'		DRAWN R.G.		DRAW NO.		
				DATE 31-DEC-14'		CHECKED J.L.Lin		(AQ) 4510MXX10(-1)		
				DATE 31-DEC-14'		APPD H.Y.Lin		TITLE:		
W1	NEW RELEASE	31-DEC-14'	ANGULAR ±3°	DATE 31-DEC-14'	4.50 PITCH SINGLE-ROW RECEPTACLE HOUSING					
REV.	REVISION RECORD	DATE								

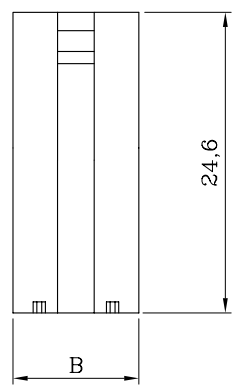
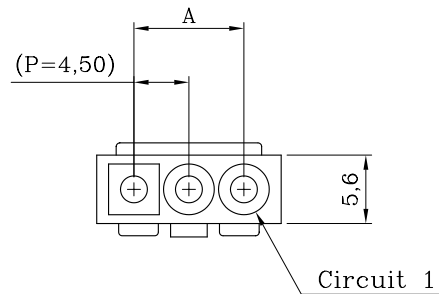
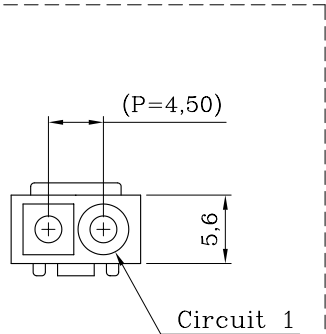
ORDER INFORMATION AND DIMENSION:

Circuits	Part No. (Without Flange, White color)	Dimension	
		A	B
2	4510M0210-1	4.50	10.3
3	4510M0310-1	9.00	14.8

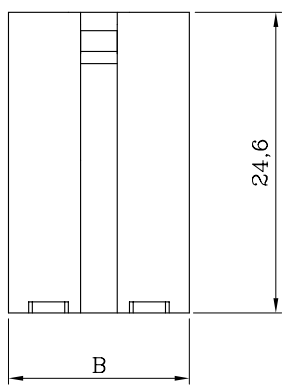
DESCRIPTION OF ORDER NO.:



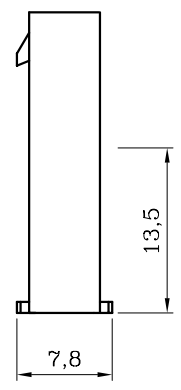
ISOMETRIC VIEW



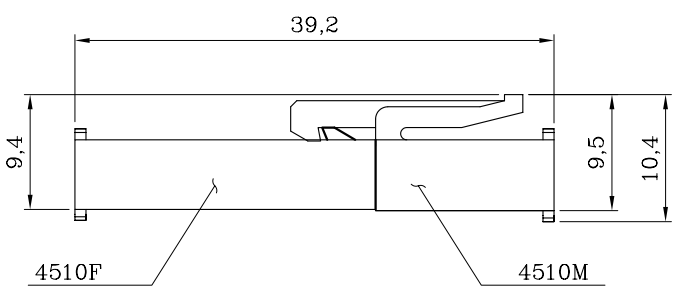
(2 Circuit)



(3 Circuit)



(RIGHT SIDE VIEW)



ASSEMBLY VIEW (3P)

NOTES:

- MATERIAL:
BASE: NYLON66 94V-0, WHITE COLOR (NATURAL)
- USE WITH 4500TM SERIES CRIMP TERMINAL.
- MATES WITH 4500F SERIES RECEPTACLE HOUSING.
- DESCRIPTION OF COLOR NO.:
LEGEND: 4500MXX10-X1 (-X: COLOR NO.)
B=BLACK, E=BLUE, H=GRAY,
I=BRICK RED, R=RED, W=BROWN
- INFORMATION IN THIS DRAWING IS NOT CONSIDERED AS FINAL.



Sales Drawing

MATERIAL: SEE NOTES		FINISH(COLOR): SEE NOTES		聯盈電子股份有限公司 LANDWIN ELECTRONIC CORP.	
GENERAL TOLERANCE:	PROJECTION	SCALE	UNIT	SHEET NO.	REV
		FREE	MM	2 / 2	W1
	DRAWN R.G.	DRAW NO.			
	CHECKED J.L.Lin	(AQ) 4510MXX10(-1)			
	APPD H.Y.Lin	TITLE:			
W1	NEW RELEASE	31-DEC-14'	ANGULAR ±3°	DATE 31-DEC-14'	4.50 PITCH SINGLE-ROW RECEPTACLE HOUSING
REV.	REVISION RECORD	DATE			