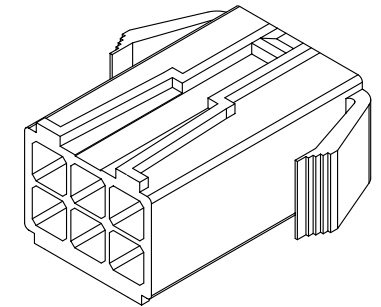
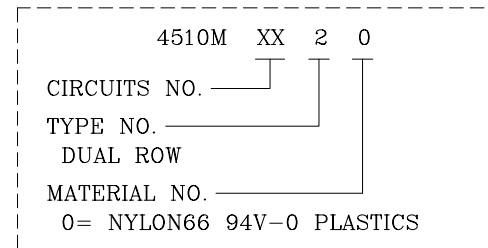


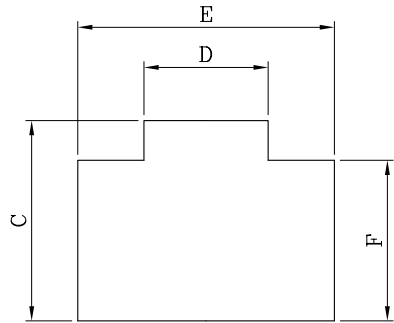
ORDER INFORMATION AND DIMENSION:

Circuits	Part No. (Panel Mount) (White Color)	Dimension			Panel Cut-Off Dimension (Thickness 0.8 to 2.0)			
		A	B	W	C	D	E	F
4	4510M0420	4.50	10.3	(19.8)	11.6	5.2	15.6	10.6
6	4510M0620	9.00	14.8	(24.3)	11.1	5.2	19.7	10.2

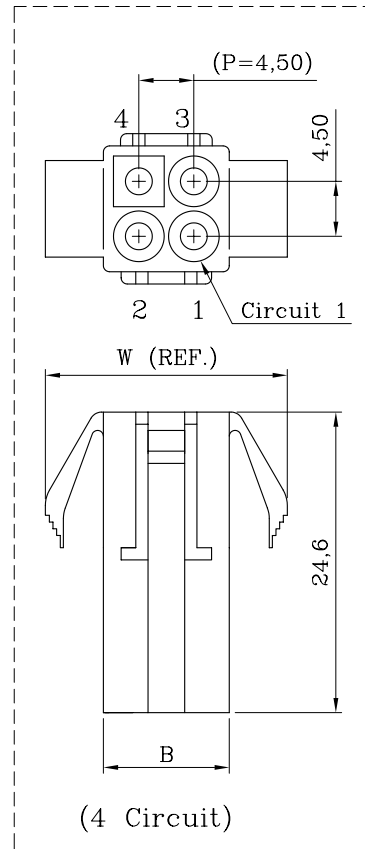
DESCRIPTION OF ORDER NO.:



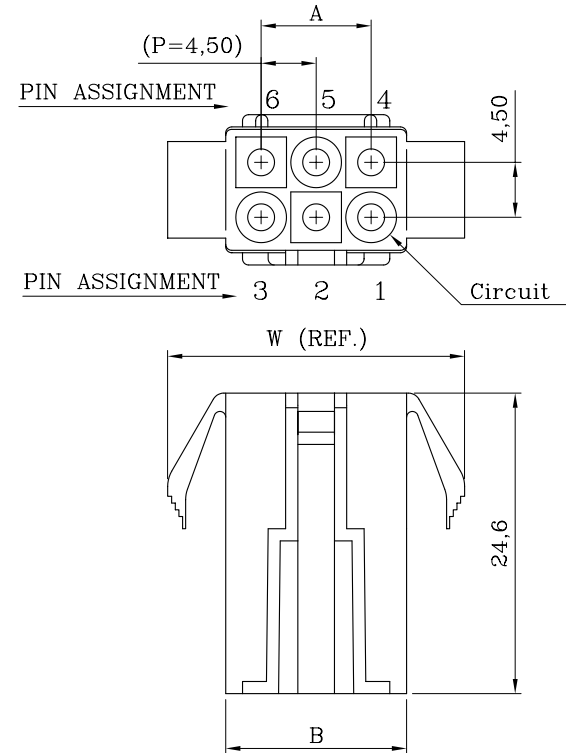
ISOMETRIC VIEW (6P)



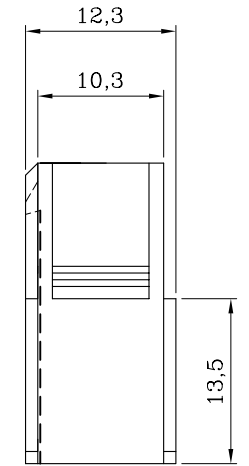
Recomm. Panel Cut-Off Dimension
(Panel thickness: 0.8 to 2.0 mm)



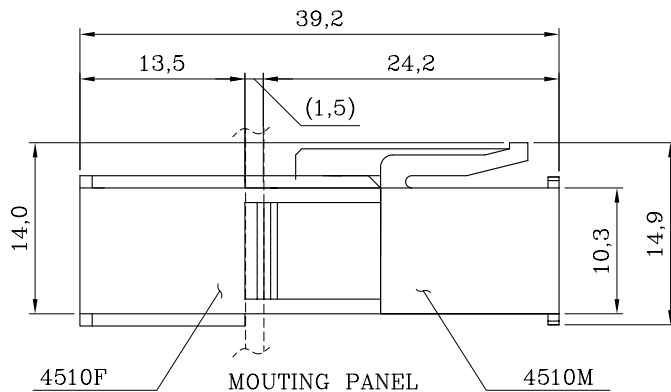
(4 Circuit)



(6 Circuit)



(RIGHT SIDE VIEW)



ASSEMBLY VIEW (6P)

NOTES:

- MATERIAL:
BASE: NYLON66 94V-0, WHITE COLOR (NATURAL)
- USE WITH 4510TM SERIES CRIMP TERMINAL.
- MATES WITH 4510F SERIES RECEPTACLE HOUSING.
- DESCRIPTION OF COLOR NO.:
LEGEND: 4510MXX20-X (-X: COLOR NO.)
B=BLACK, E=BLUE, H=GRAY,
I=BRICK RED, R=RED, W=BROWN
- INFORMATION IN THIS DRAWING IS NOT CONSIDERED AS FINAL.



Sales Drawing



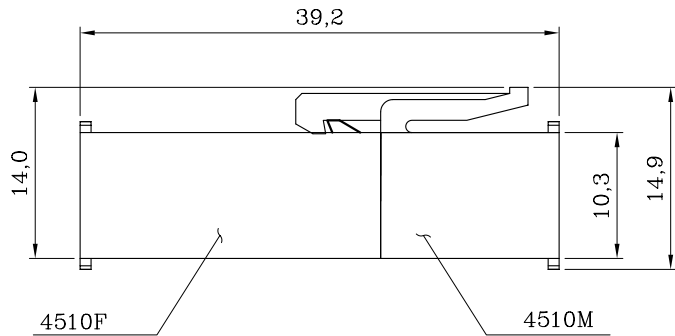
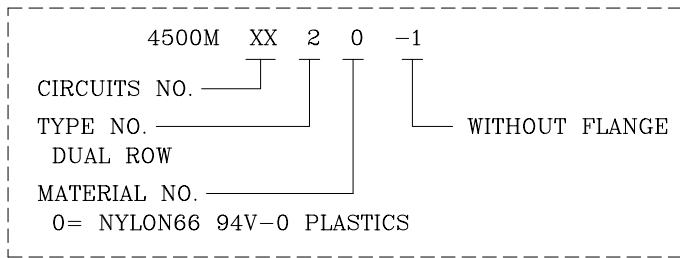
聯盈電子股份有限公司
LANDWIN ELECTRONIC CORP.

MATERIAL: SEE NOTES		FINISH(COLOR): SEE NOTES		GENERAL TOLERANCE:		PROJECTION	SCALE	UNIT	SHEET NO.	REV
				ANGULAR ±3°		⊕	FREE	MM	1 / 2	W1
				DATE 31-DEC-14'		DRAWN R.G.		DRAW NO.		
				DATE 31-DEC-14'		CHECKED J.L.Lin		(AQ) 4510MXX20(-1)		
W1 NEW RELEASE		31-DEC-14'		DATE 31-DEC-14'		APPD H.Y.Lin		TITLE:		
REV. REVISION RECORD		DATE						4.50 PITCH DUAL-ROW RECEPTACLE HOUSING		

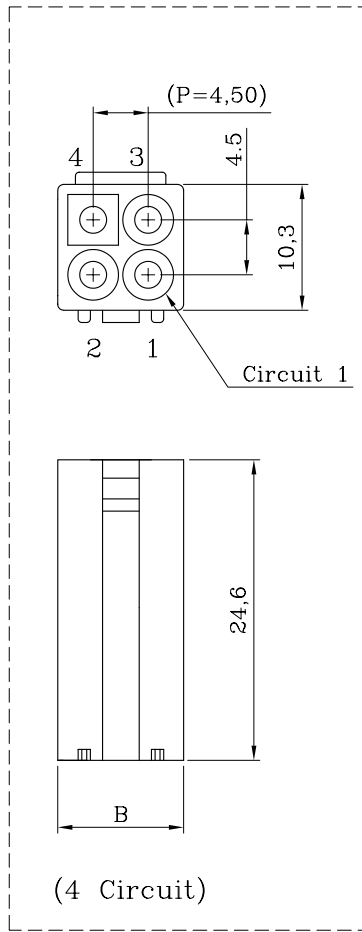
ORDER INFORMATION AND DIMENSION:

Circuits	Part No. (Without Flange, White color)	Dimension	
		A	B
4	4510M0420-1	4.50	10.3
6	4510M0620-1	9.00	14.8

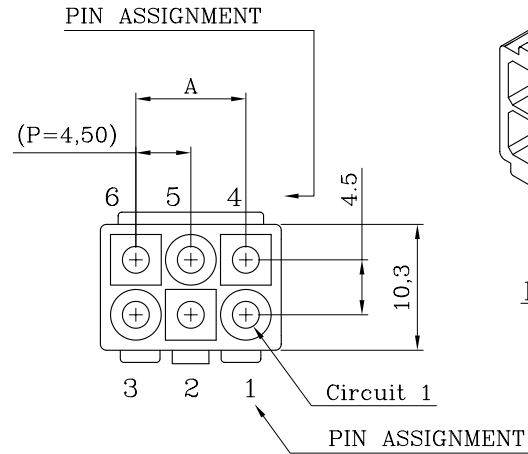
DESCRIPTION OF ORDER NO.:



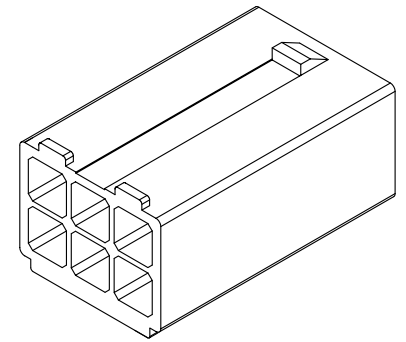
ASSEMBLY VIEW (6P)



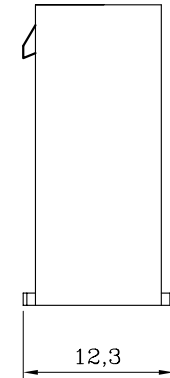
(4 Circuit)



(6 Circuit)



ISOMETRIC VIEW (6P)



(RIGHT SIDE VIEW)

NOTES:

- MATERIAL:
BASE: NYLON66 94V-0, WHITE COLOR (NATURAL)
- USE WITH 4500TM SERIES CRIMP TERMINAL.
- MATES WITH 4500F SERIES RECEPTACLE HOUSING.
- DESCRIPTION OF COLOR NO.:
LEGEND: 4500MXX20-X1 (-X: COLOR NO.)
B=BLACK, E=BLUE, H=GRAY,
I=BRICK RED, R=RED, W=BROWN
- INFORMATION IN THIS DRAWING IS NOT CONSIDERED AS FINAL.



Sales Drawing



聯盈電子股份有限公司
LANDWIN ELECTRONIC CORP.

MATERIAL: SEE NOTES		FINISH(COLOR): SEE NOTES		PROJECTION:		SCALE: FREE	UNIT: MM	SHEET NO. 2 / 2	REV. W1
W1 NEW RELEASE		31-DEC-14'		ANGULAR ±3°		DATE 31-DEC-14'		DRAW NO. (AQ) 4510MXX20(-1)	
REV. REVISION RECORD		DATE						TITLE: 4.50 PITCH DUAL-ROW RECEPTACLE HOUSING	