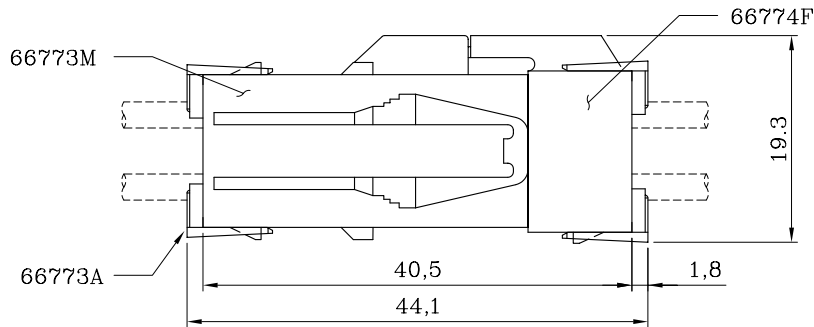
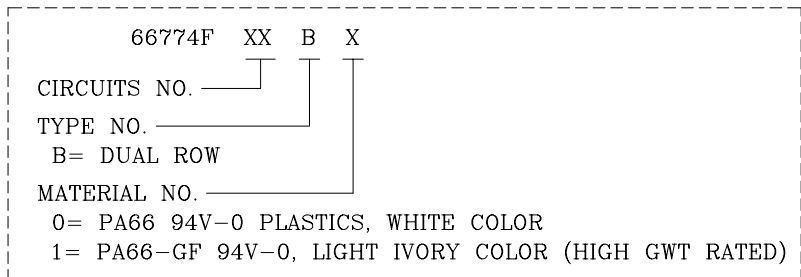


ORDER INFORMATION AND DIMENSION:

Circuits	Part No. (PA66 94V-0)	Part No. (PA66-GF)	Dimension	
			A	B
4	66774F04 B0	66774F04 B1	6.2	13.4
6	66774F06 B0	66774F06 B1	12.4	19.6
8	66774F08 B0	66774F08 B1	18.6	25.8
10	66774F10 B0	66774F10 B1	24.8	32.0
12	66774F12 B0	66774F12 B1	31.0	38.2

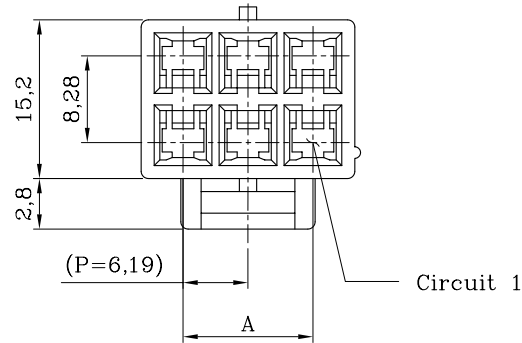
DESCRIPTION OF ORDER NO.:



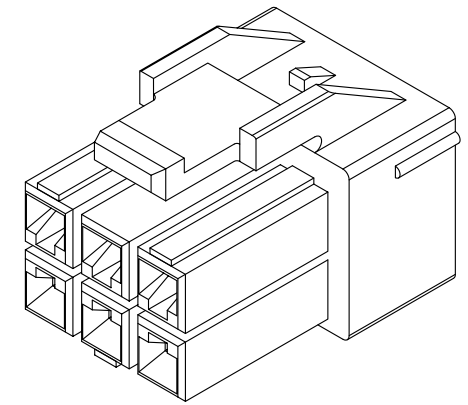
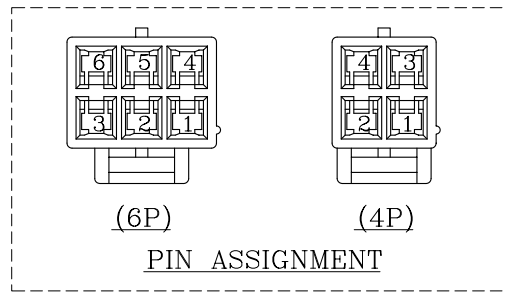
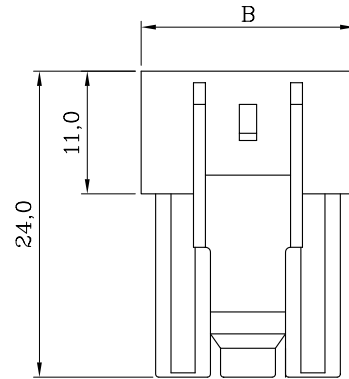
ASSEMBLY VIEW

NOTES:

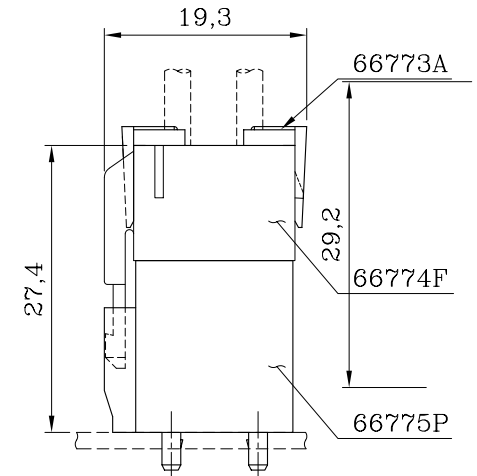
- MATERIAL:
BASE (No.=0): PA66 94V-0, WHITE
BASE (No.=1): PA66-GF 94V-0, LIGHT IVORY COLOR
- MATES WITH 66773MXXBX TYPE-B SERIES RECEPTACLE HOUSING.
MATES WITH 66773MXXEX TYPE-E SERIES RECEPTACLE HOUSING.
MATES WITH 66775PXXBX TYPE-B SERIES DIP HEADER.
- USE WITH 66773AXXAX TYPE-A SERIES CABLE RETAINER.
- DESCRIPTION OF COLOR NO.:
LEGEND: 66774FXXBX-X (-X: COLOR NO.)
B=BLACK, C=COCONUT BROWN, E=BLUE, H=GRAY,
- REPLACEMENT OF HALOGEN-FREE PRODUCT (PA66-GF PLASTICS):
LEGEND: 66774FXXB1-XNH (NH: HALOGEN-FREE)
LEGEND: 66774FXXB1-SNH (S=LIGHT IVORY /NATURAL COLOR)
- INFORMATION IN THIS DRAWING IS NOT CONSIDERED AS FINAL.



Circuit 1



ISOMETRIC VIEW



ASSEMBLY LAYOUT



Sales Drawing

LANDWIN 聯盈電子股份有限公司
LANDWIN ELECTRONIC CORP.

GENERAL TOLERANCE:	PROJECTION FREE	SCALE R.G.	UNIT MM	SHEET NO. 1 / 1	REV W1
	DRAWN	R.G.	DRAW NO. (AQ) 66774FXXBX		
	CHECKED	J.L.Lin	TITLE:		
	APPD	H.Y.Lin	DATE 31-DEC-14'		
W1	NEW RELEASE	31-DEC-14'	ANGULAR ±3°	6.2 PITCH DUAL-ROW PLUG HOUSING (TYPE-B)	
REV.	REVISION RECORD	DATE			