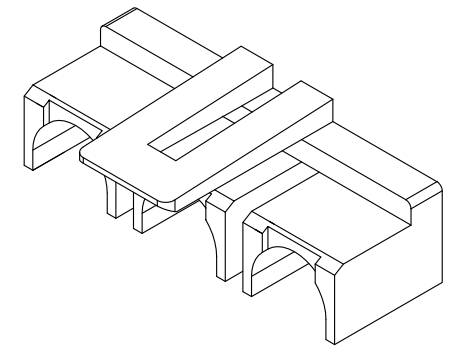
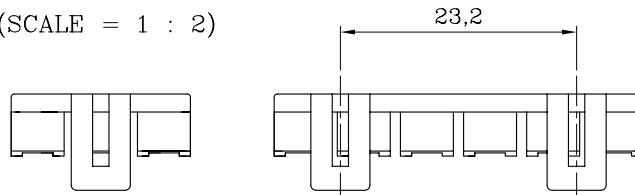


ORDER INFORMATION AND DIMENSION:

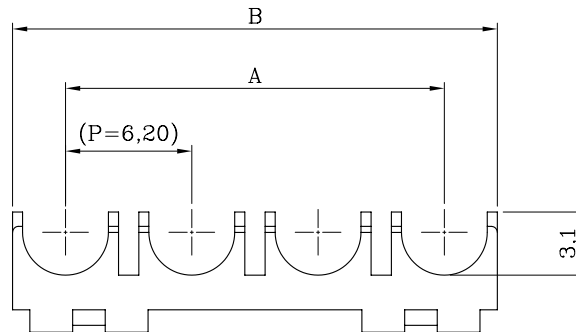
Circuits	Part No. (PA66 94V-0) (LIGHT IVORY COLOR)	Dimension	
		A	B
2	66773A02 A0	6.2	11.4
3	66773A03 A0	12.4	17.6
4	66773A04 A0	18.6	23.8
6	66773A06 A0	31.0	38.2

(SCALE = 1 : 2)

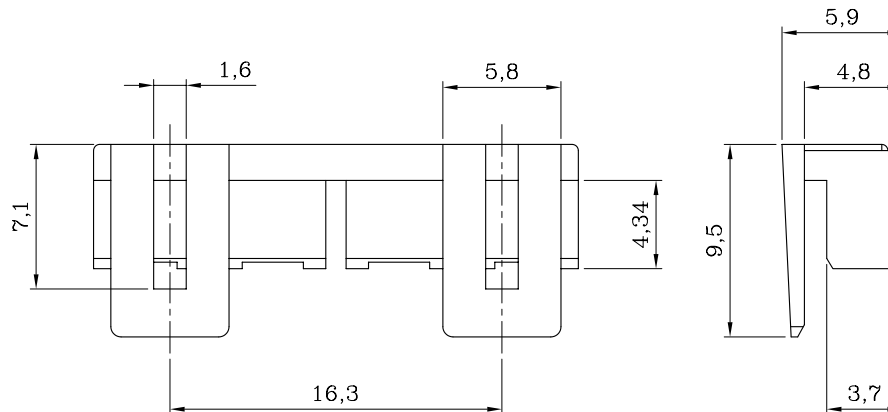
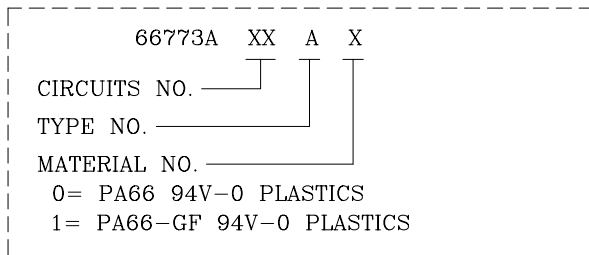


ISOMETRIC VIEW

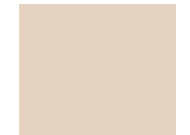
Circuits	Part No. (PA66-GF PLASTICS) (LIGHT IVORY COLOR)	Dimension	
		A	B
2	66773A02 A1	6.2	11.4
3	66773A03 A1	12.4	17.6
4	66773A04 A1	18.6	23.8
6	66773A06 A1	31.0	38.2



DESCRIPTION OF ORDER NO.:



TINT PLATE
(LIGHT IVORY COLOR)



NOTES:

- MATERIAL:
BASE (No.=0): PA66 94V-0, LIGHT IVORY COLOR
BASE (No.=1): PA66-GF 94V-0, LIGHT IVORY COLOR
- MATES WITH 66773MXXAX SERIES RECEPTACLE HOUSING.
,MATES WITH 66773MXXBX SERIES RECEPTACLE HOUSING.
- MATES WITH 66774FXXAX SERIES PLUG HOUSING.
,MATES WITH 66774FXXBX SERIES PLUG HOUSING.
- DESCRIPTION OF COLOR NO.:
LEGEND: 66773AXXAX-X (-X: COLOR NO.)
B=BLACK, E=BLUE, H=GRAY,
I=BRICK RED, R=RED, W=BROWN, S= WHITE
- REPLACEMENT OF HALOGEN-FREE PRODUCT (PA66-GF PLASTICS):
LEGEND: 66773AXXA1-XNH (NH: HALOGEN-FREE)
LEGEND: 66773AXXA1-SNH (S=LIGHT IVORY /NATURAL COLOR)
- INFORMATION IN THIS DRAWING IS NOT CONSIDERED AS FINAL.



Sales Drawing

MATERIAL: SEE NOTES		FINISH(COLOR): LIGHT IVORY (NATURAL)		聯盈電子股份有限公司 LANDWIN ELECTRONIC CORP.		
GENERAL TOLERANCE:	PROJECTION	SCALE	UNIT	SHEET NO.	REV	
		FREE	MM	1 / 1	W1	
	DRAWN	R.G.	DRAW NO.			
	CHECKED	J.L.Lin	(AQ) 66773AXXAX			
	APPD	H.Y.Lin	TITLE:			
W1	NEW RELEASE	31-DEC-14'	ANGULAR ±3°	DATE 31-DEC-14'	6.2 PITCH 66773 SERIES CABLE RETAINER	
REV.	REVISION RECORD	DATE				