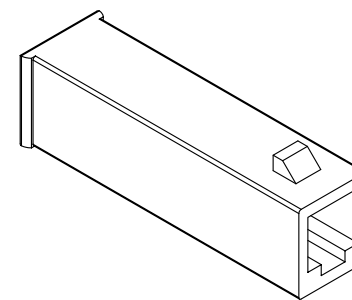
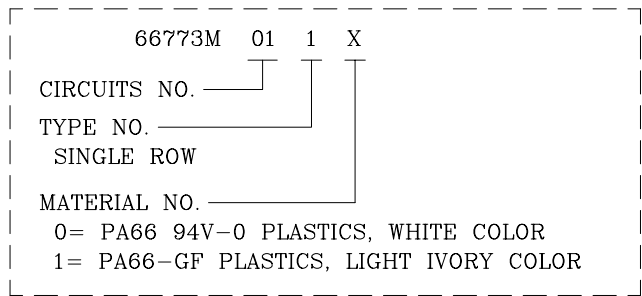
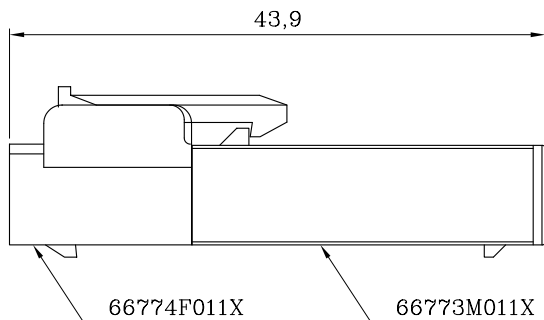


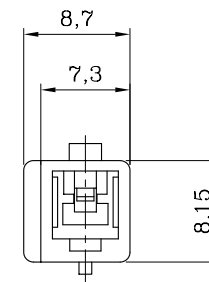
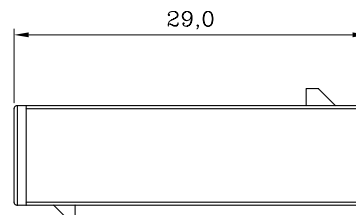
DESCRIPTION OF ORDER NO.:



ISOMETRIC VIEW



ASSEMBLY LAYOUT



NOTES:

- MATERIAL:
BASE (No.=0): PA66 94V-0, WHITE COLOR
BASE (No.=1): PA66-GF 94V-0, LIGHT IVORY COLOR
- MATES WITH 66774F011X SERIES PLUG HOUSING.
- USE WITH 66773A011X-X SERIES CABLE RETAINER.
USE WITH 66773T/66774T SERIES CRIMP TERMINAL.
- DESCRIPTION OF COLOR NO.:
LEGEND: 66773M011X-X (-X: COLOR NO.)
B=BLACK, E=BLUE, H=GRAY,
I=BRICK RED, R=RED, W=BROWN
- REPLACEMENT OF HALOGEN-FREE PRODUCT (PA66-GF PLASTICS):
LEGEND: 66773M0111-XNH (NH: HALOGEN-FREE)
LEGEND: 66773M0111-SNH (S=LIGHT IVORY/NATURAL COLOR)
- INFORMATION IN THIS DRAWING IS NOT CONSIDERED AS FINAL.



Sales Drawing

LANDWIN 聯盈電子股份有限公司
LANDWIN ELECTRONIC CORP.

MATERIAL: SEE NOTES		PROJECTION		SCALE	UNIT	SHEET NO.	REV
FINISH(COLOR): SEE NOTES		FREE		FREE	MM	1 / 1	W1
		DRAWN R.G.		DRAW NO.			
		CHECKED J.L.Lin		(AQ) 66773M011X			
		APPD H.Y.Lin		TITLE:			
W1	NEW RELEASE	31-DEC-14'	ANGULAR ±3°	DATE 31-DEC-14'	6.2 PITCH SINGLE-ROW RECEPTACLE HOUSING		
REV.	REVISION RECORD	DATE					