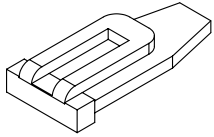
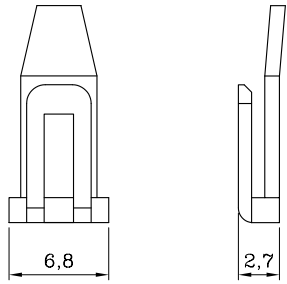


A



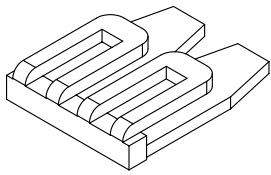
ISOMETRIC VIEW
(TYPE-1)



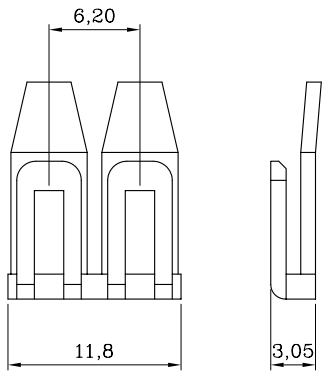
SERIES P/N: 66773A011X-X

B

C

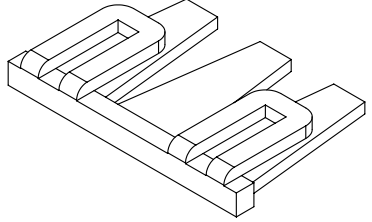


ISOMETRIC VIEW
(TYPE-2)

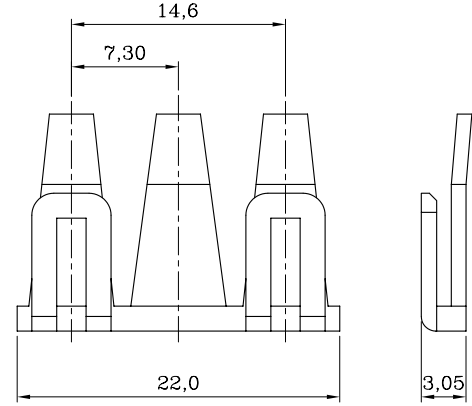


SERIES P/N: 66773A021X-X

D



ISOMETRIC VIEW
(TYPE-4)



SERIES P/N: 66773A034X-X

E

F

NOTES:

1. MATERIAL:
 BASE (No.=0): PA66 94V-0
 BASE (No.=1): PA66-GF 94V-0
2. MATES WITH 66774F TYPE-1/2/4 SERIES PLUG HOUSING.
3. MATES WITH 66773M TYPE-1/2/4 SERIES RECEPTACLE HOUSING.
4. DESCRIPTION OF COLOR NO.:
 LEGEND: 66773AXXXX-X (-X: COLOR NO.)
 B=BLACK, E=BLUE, H=GRAY,
 I=BRICK RED, M=GREEN, R=RED, W=BROWN,
 S=LIGHT IVORY/NATURAL
5. REPLACEMENT OF HALOGEN-FREE PRODUCT (PA66-GF PLASTICS):
 LEGEND: 66773AXXX1-XNH (NH: HALOGEN-FREE)
 LEGEND: 66773AXXX1-RNH (R=RED COLOR)
6. INFORMATION IN THIS DRAWING IS NOT CONSIDERED AS FINAL.

DESCRIPTION OF ORDER NO.:

66773A XX X X - X

CIRCUITS NO. _____ COLOR NO.
 TYPE NO. _____ R= RED
 TYPE-1 SINGLE-ROW MATERIAL NO.
 TYPE-2 DUAL-ROW 0= PA66 94V-0 PLASTICS
 TYPE-4 DUAL-ROW 1= PA66-GF PLASTICS
 (PITCH=7.3)

A

B

C

D

E

F



Sales Drawing

MATERIAL: SEE NOTES		FINISH(COLOR): SEE NOTE		聯盈電子股份有限公司 LANDWIN ELECTRONIC CORP.		
GENERAL TOLERANCE:	PROJECTION	SCALE	UNIT	SHEET NO.	REV	
	⊕	FREE	MM	1 / 1	W1	
	DRAWN	R.G.	DRAW NO.			
	CHECKED	J.L.Lin	(AQ) 66773AXXXX-X			
	APPD	H.Y.Lin	TITLE:			
W1	NEW RELEASE	31-DEC-14'	ANGULAR ±3°	DATE	31-DEC-14'	
REV.	REVISION RECORD	DATE	6.2 PITCH 66773 SERIES CABLE RETAINER			