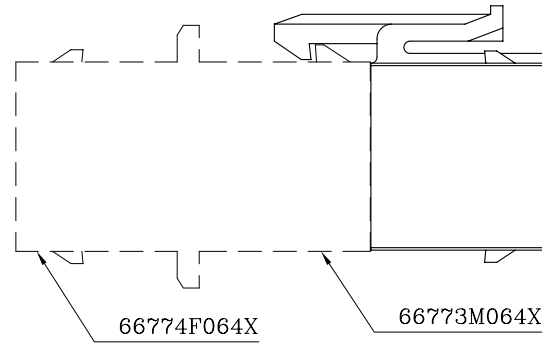
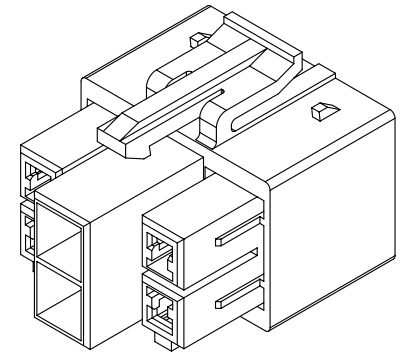


DESCRIPTION OF ORDER NO.:

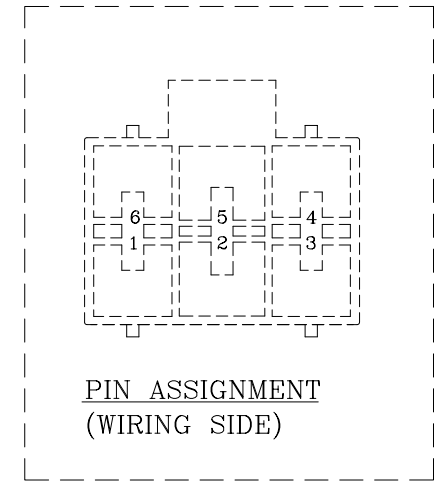
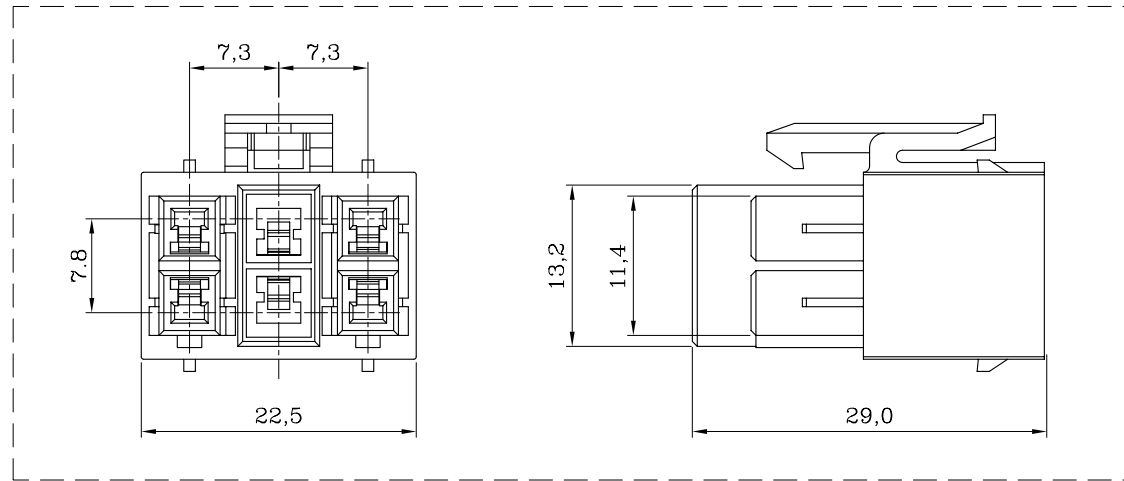
66774F 06 4 X
 CIRCUITS NO. _____
 TYPE NO. _____
 PITCH 7,3 DUAL ROW
 MATERIAL NO. _____
 0= PA66 94V-0 PLASTICS, WHITE COLOR
 1= PA66-GF PLASTICS, LIGHT IVORY COLOR



ASSEMBLY LAYOUT



ISOMETRIC VIEW



NOTES:

- MATERIAL:
 BASE (No.=0): PA66 94V-0, WHITE COLOR
 BASE (No.=1): PA66-GF 94V-0, LIGHT IVORY COLOR
- MATES WITH 66773M064X SERIES RECEPTACLE HOUSING.
- USE WITH 66773A034X-X SERIES CABLE RETAINER.
 USE WITH 66773T/66774T SERIES CRIMP TERMINAL.
- DESCRIPTION OF COLOR NO.:
 LEGEND: 66774F064X-X (-X: COLOR NO.)
 B=BLACK, E=BLUE, H=GRAY,
 I=BRICK RED, R=RED, W=BROWN
- REPLACEMENT OF HALOGEN-FREE PRODUCT (PA66-GF PLASTICS):
 LEGEND: 66774F0641-XNH (NH: HALOGEN-FREE)
 LEGEND: 66774F0641-SNH (S=LIGHT IVORY/NATURAL COLOR)
- INFORMATION IN THIS DRAWING IS NOT CONSIDERED AS FINAL.



Sales Drawing

LANDWIN 聯盈電子股份有限公司
 LANDWIN ELECTRONIC CORP.

MATERIAL: SEE NOTES		PROJECTION		SCALE	UNIT	SHEET NO.	REV
FINISH(COLOR): SEE NOTES		FREE		FREE	MM	1 / 1	W1
		DRAWN R.G.		DRAW NO.			
		CHECKED J.L.Lin		(AQ) 66774F064X			
		APPD H.Y.Lin		TITLE:			
W1	NEW RELEASE	31-DEC-14'	ANGULAR ±3°	DATE 31-DEC-14'	7.3 PITCH DUAL-ROW PLUG HOUSING		
REV.	REVISION RECORD	DATE					