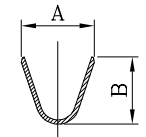
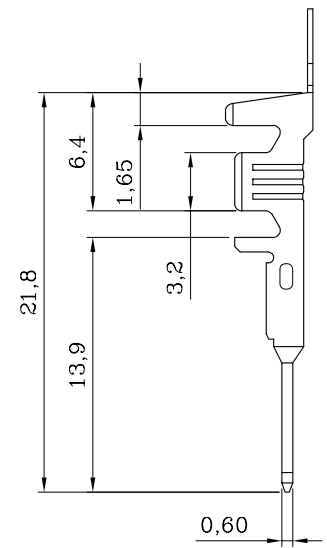
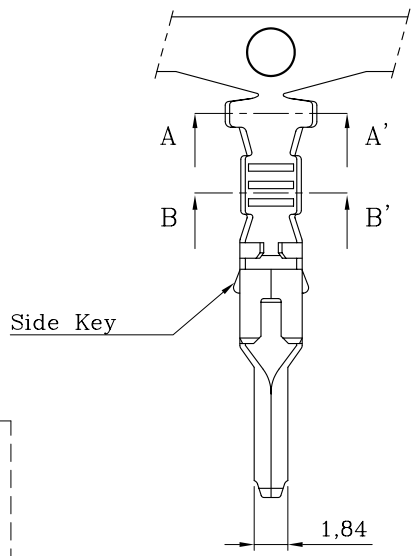
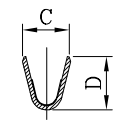


SERIES P/N: 66773T012X  
(With Side Key)



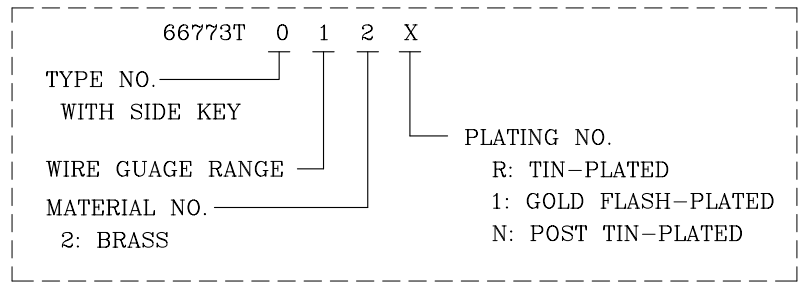
SEC A-A'



SEC B-B'

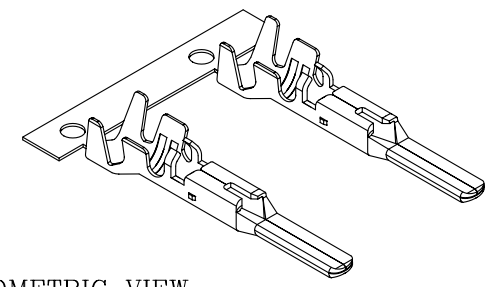
ROLL FORM PACKAGE

DESCRIPTION OF ORDER NO.:



ORDER INFORMATION AND DIMENSION:

ORDER NO.	TERMINAL TYPE	WIRE GAUGE RANGE (AWG)	INSULATION DIAMETER	Q'TY/REEL	A	B	C	D
66773T012X	CHAIN	#18 - #14	ø3.5 MAX.	3,500 PCS	5,2	4,8	3,4	3,8



ISOMETRIC VIEW

NOTES:

1. MATERIAL: BRASS
2. USE WITH RECEPTACLE HOUSING:
  - <1> 66773F TYPE-1/2/4 SERIES
  - <2> 66773M TYPE-1/2/4 SERIES
3. INFORMATION IN THIS DRAWING IS NOT CONSIDERED AS FINAL.



Sales Drawing

MATERIAL: SEE NOTES			FINISH(COLOR): SEE NOTES			聯盈電子股份有限公司 LANDWIN ELECTRONIC CORP.		
GENERAL TOLERANCE:	PROJECTION	SCALE	UNIT	SHEET NO.	REV	DRAW NO.		
		FREE	MM	1 / 1	W1	(BQ) 66773T012X		
	DRAWN R.G.	CHECKED J.L.Lin	APPD H.Y.Lin	TITLE:		DRAW NO.		
W1	NEW RELEASE	31-DEC-14'	ANGULAR ±3°	DATE 31-DEC-14'	CRIMP TERMINAL (66773M/66774F SERIES)			
REV.	REVISION RECORD	DATE						