

A

B

C

D

E

F

A

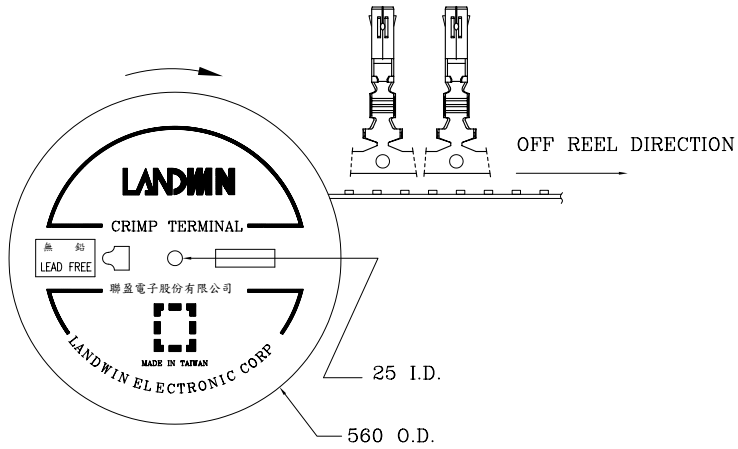
B

C

D

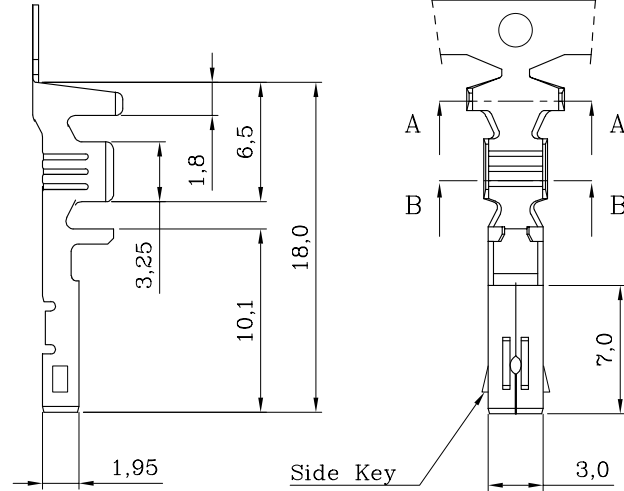
E

F

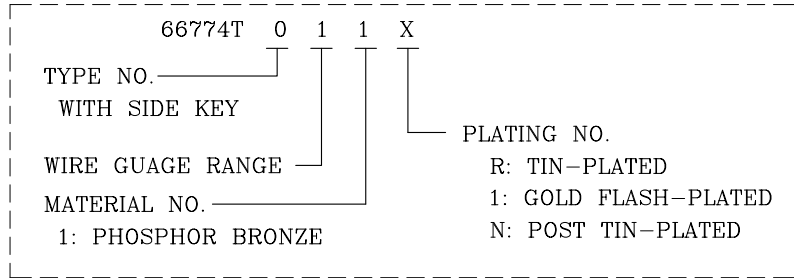


ROLL FORM PACKAGE

SERIES P/N: 66774T011X
(With Side Key)

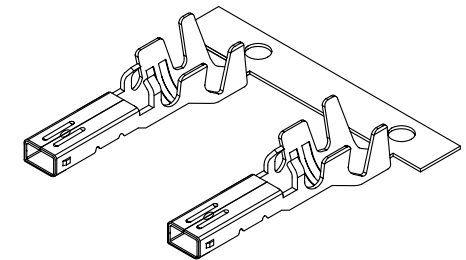


DESCRIPTION OF ORDER NO.:



ORDER INFORMATION AND DIMENSION:

ORDER NO.	TERMINAL TYPE	WIRE GAUGE RANGE (AWG)	INSULATION DIAMETER	Q'TY/REEL	A	B	C	D
66774T011X	CHAIN	#18 - #14	ø3.5 MAX.	3,500 PCS	5,2	4,8	3,4	3,8



ISOMETRIC VIEW

NOTES:

- MATERIAL: PHOSPHOR BRONZE
- USE WITH RECEPTACLE HOUSING:
<1> 66773F TYPE-1/2/4 SERIES
<2> 66773M TYPE-1/2/4 SERIES
- INFORMATION IN THIS DRAWING IS NOT CONSIDERED AS FINAL.



Sales Drawing

LANDWIN 聯盈電子股份有限公司
LANDWIN ELECTRONIC CORP.

MATERIAL: SEE NOTES		PROJECTION		SCALE	UNIT	SHEET NO.	REV
FINISH(COLOR): SEE NOTES		FREE		FREE	MM	1 / 1	W1
		DRAWN R.G.		DRAW NO.			
		CHECKED J.L.Lin		(BQ) 66774T011X			
		APPD H.Y.Lin		TITLE:			
W1	NEW RELEASE	31-DEC-14'	ANGULAR ±3°	DATE 31-DEC-14'	CRIMP TERMINAL		
REV.	REVISION RECORD	DATE	(66773M/66774F SERIES)				