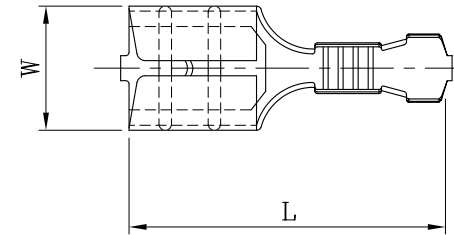
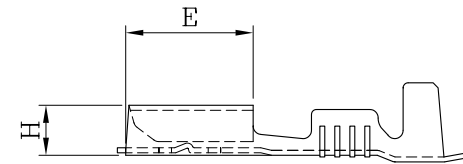
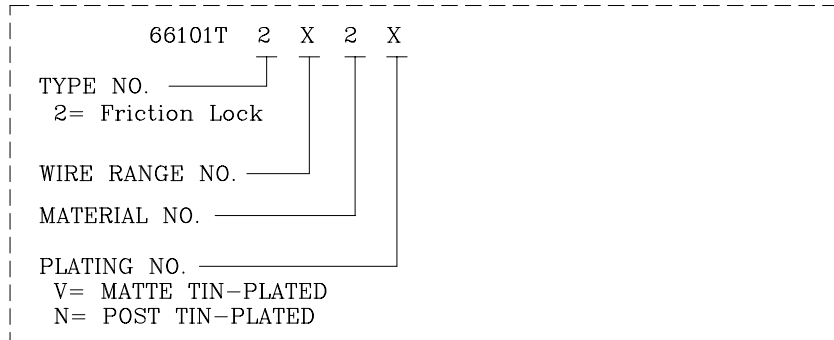


SPECIFICATION:

- Current rating: 16A AC/DC Max.
- Voltage Range: 250V AC,DC
- Temperature Range: -40 °C to 105 °C

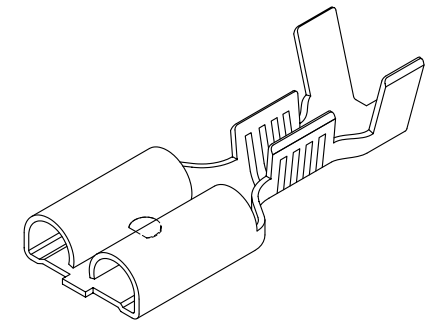


DESCRIPTION OF ORDER NO.:



ORDER INFORMATION:

Part No.	Carrier	TAB-Mate Thickness	Wire Range AWG	Insulation O.D.	Dimension (mm)			
					H	W	L	E
66101T212V	Chain	0.8	18 - 22	2.8 Max.	3.0	7.45	19.1	7.65
66101T222V	Chain	0.8	14 - 20	3.5 Max.	3.0	7.45	19.1	7.65
66101T232V	Chain	0.8	10 - 12	5.1 Max.	3.0	7.45	19.1	7.65



ISOMETRIC VIEW

NOTES:

1. MATERIAL: BRASS, 0.4(t)
2. USE WITH HOUSING FOR 250 TYPE SERIES TAB-MATE TERMINAL.
3. MATES WITH 3301T, 3302T SERIES PCB TERMINAL.
4. PACKING: Q'TY PER REEL= 5,000 PCS
5. INFORMATION IN THIS DRAWING IS NOT CONSIDERED AS FINAL.

		Sales Drawing			
		聯盈電子股份有限公司 LANDWIN ELECTRONIC CORP.			
GENERAL TOLERANCE:		SCALE: FREE	UNIT: MM	SHEET NO. 1 / 1	REV: W1
	DRAWN: R.G.	DRAW NO. (BQ) 66101T2X2X			
	CHECKED: J.L.Lin	TITLE: 250 TYPE TAB-MATE CRIMP TERMINAL (TYPE-2)			
	APPD: H.Y.Lin				
W1	NEW RELEASE	31-DEC-14'	ANGULAR ±3°	DATE 31-DEC-14'	
REV.	REVISION RECORD	DATE			